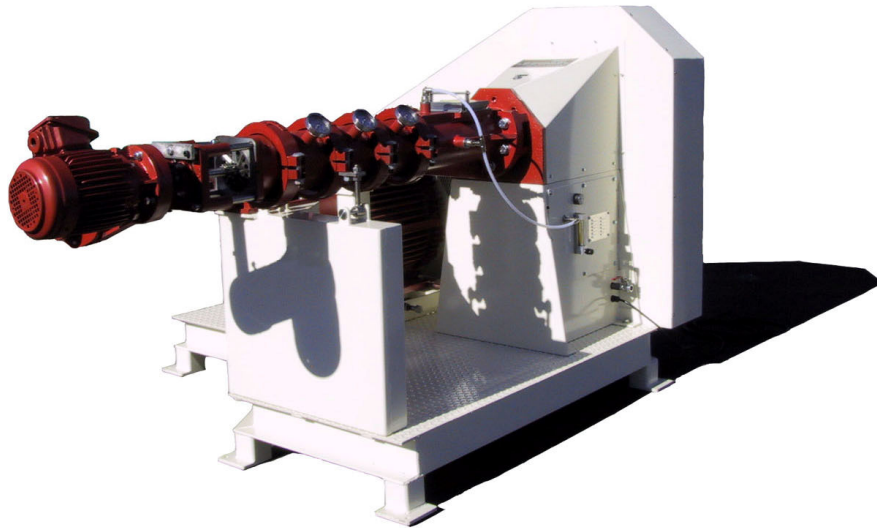


**6000-DRY Single Screw cooking Extruder 178mm
for processing capacities up to 3500kg/hr***



Specification & Features

Main Drive:

160kW AC motor

Coupled to extruder shaft via high power synchronous belt

Shaft Assembly:

Extendable main shaft – up to 4 barrels can be fitted

High performance taper roller bearing assembly

Oil cooling and filter system

5 x sealing system to prevent contamination of bearing housing oil – extending bearing life

Barrel and Screws:

“Clam shell” barrels incorporating high quality wear resistant barrel liners.

3 different liner designs available allowing versatile operation

Water cooled barrels optional

Wear ring with choke plates/restrictors or continuous screw configurations

Various screw designs/profiles to suit products

Barrel water injection nozzle and flow meter

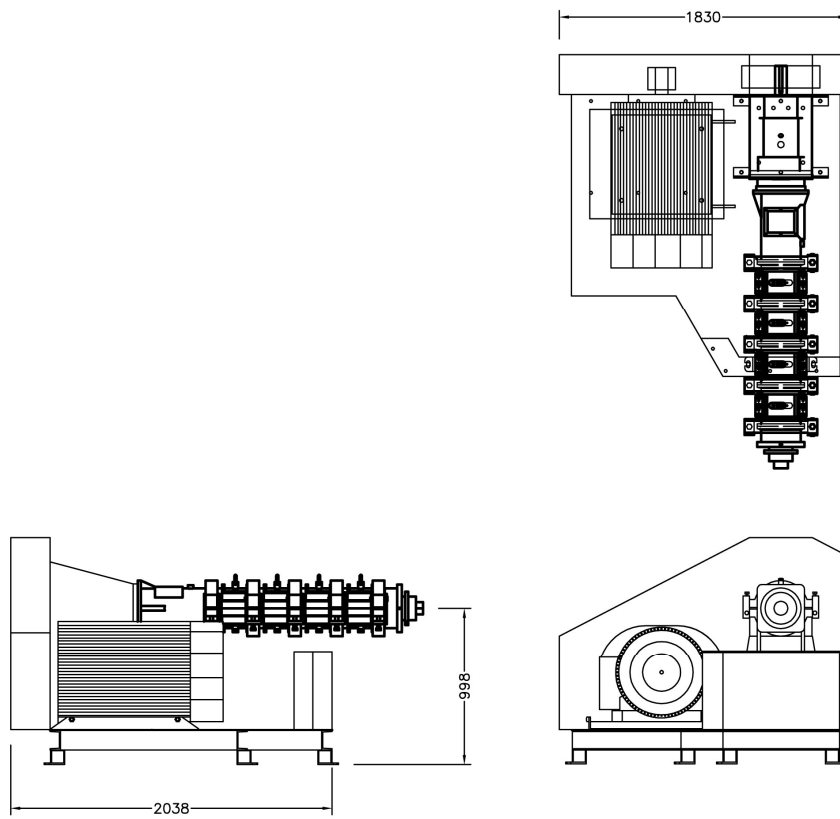
JSConwell Extrusion Technology

Control:

Manual control – includes independently mounted control cabinet with basic control of extruder.

Display of main motor amps.

Dimensions:





About Us

JSConwell Ltd is a specialised company based in Palmerston North, New Zealand.

We have many years experience in the design manufacture and operation of Single Screw Extruders around the globe.

JSConwell Ltd has been responsible for the design, manufacture and support of all Bühler Millbank Single Screw Extruders in the past, and now sell this equipment directly.

We pride ourselves on providing excellent customer service coupled with our vast technical knowledge and experience ensures that you will receive the best equipment and advice on the market.

Our high quality equipment is designed to give our customers the best value. This is achieved by providing high capacity machines at a competitive price that provide efficient operation and low wear part replacement costs.

We have machines specifically optimised for full fat soya bean meal processing.

If you have any questions or would like a quote please contact us.

JSConwell Ltd
www.jsconwell.com
Ph: +64 (0) 21 043 1027