

JSConwell
Extrusion Technology

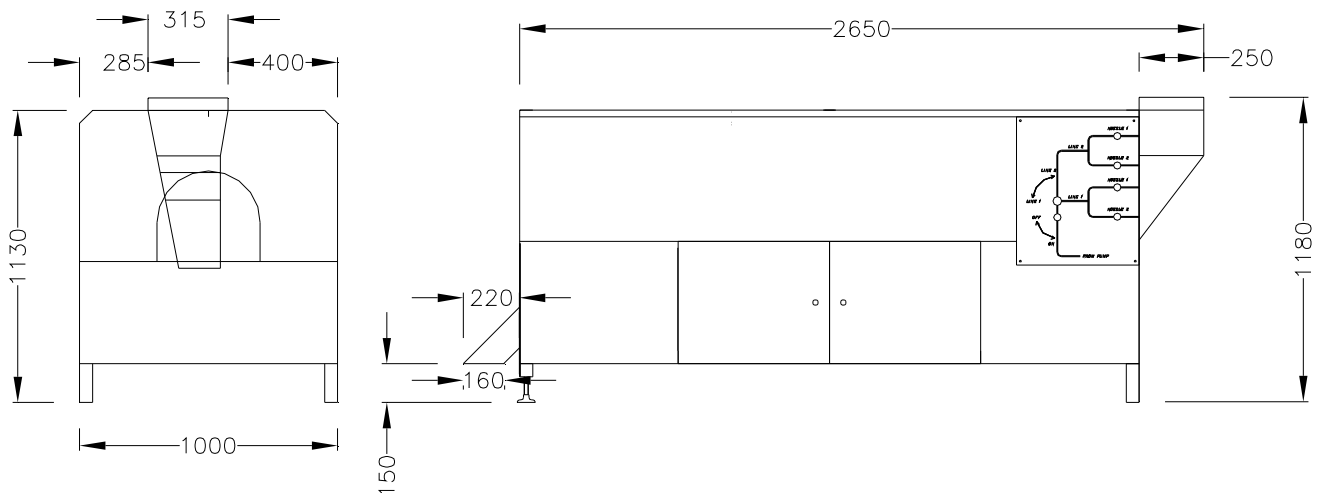
Rotary Coater
For addition of fats & oils for pet and aquafeeds



Specification & Features

- All stainless steel construction
- Includes all pumps pipe work and controls to apply fats/oils to extruded pellets
- Trace heating off all internal pipe work
- 2x Filters/spraying liners to allow for on-line cleaning of filters and clearing of blockages
- Adjustable angle to alter residence time

Dimensions (030 version):





About Us

JSConwell Ltd is a specialised company based in Palmerston North, New Zealand.

We have many years experience in the design manufacture and operation of single screw extruders around the globe.

JSConwell Ltd has been responsible for the design, manufacture and support of all Bühler millbank single screw extrusion equipment in the past, and now sell this equipment directly.

We pride ourselves on providing excellent customer service. In addition, our vast technical knowledge and experience ensures that you will receive the best equipment and advice on the market.

Our high quality equipment is designed to give our customers the best value. This is achieved by providing high capacity machines at a good price, efficient operation with low wear part replacement costs.

If you have any questions or would like a quote please contact us.

JSConwell Ltd
www.jsceextrusion.com
Ph: +64 (0) 21 043 1027