

# **Spare Parts Manual**

## **Single Screw Extruder BASF**

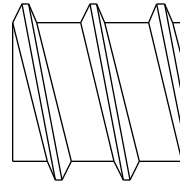
Spare Parts Manual BASF rev 09-12-08

## Contents

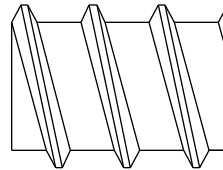
1	Screw Elements .....	3
2	Barrel assemblies.....	8
3	Clamps.....	13
4	Barrel end section .....	14
5	Cutter .....	15
6	Shaft.....	19
7	Control Arm.....	22
8	Articulated feet.....	23
9	Steam Kit.....	24
10	Water injection assembly.....	25
11	Barrel heating/cooling .....	28
12	Drive .....	29
13	Conditioner .....	33

# 1 Screw Elements

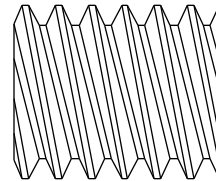
PRESSURE SCREW SINGLE FLIGHT SHORT  
E100-BA056



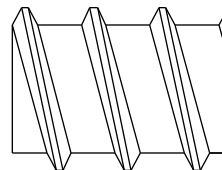
SF SCREW 190MM  
E100-BA092



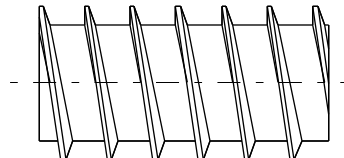
PRESSURE SCREW DOUBLE FLIGHT LONG  
E100-BA058  
OR  
DF SCREW 190MM  
E100-BA093



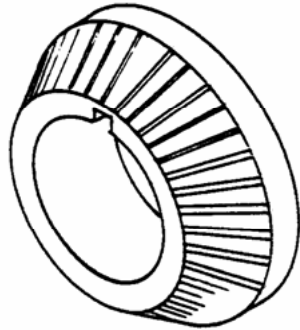
SCREW SINGLE FLIGHT LONG  
E100-BA101



INTAKE SCREW ONE PIECE  
E100-BA105



Choke plates



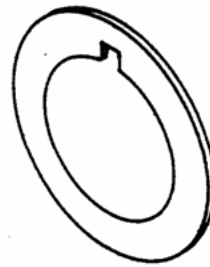
CHOKE PLATE 136 E100-BA152

CHOKE PLATE 139 E100-BA153

CHOKE PLATE 141 E100-BA154

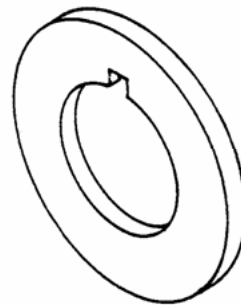
Choke plate spacer

CHOKE PLATE SPACER  
E100-BA042

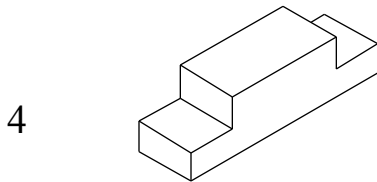
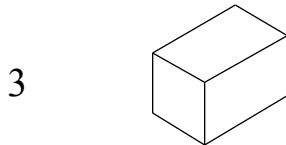
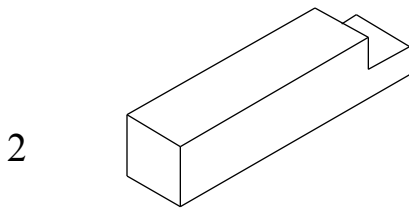
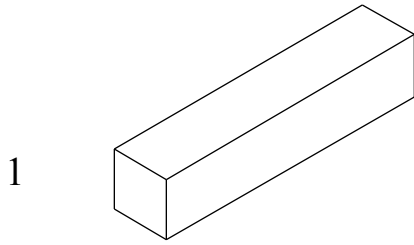


Choke plate ring

CHOKE PLATE RING  
E100-BA055

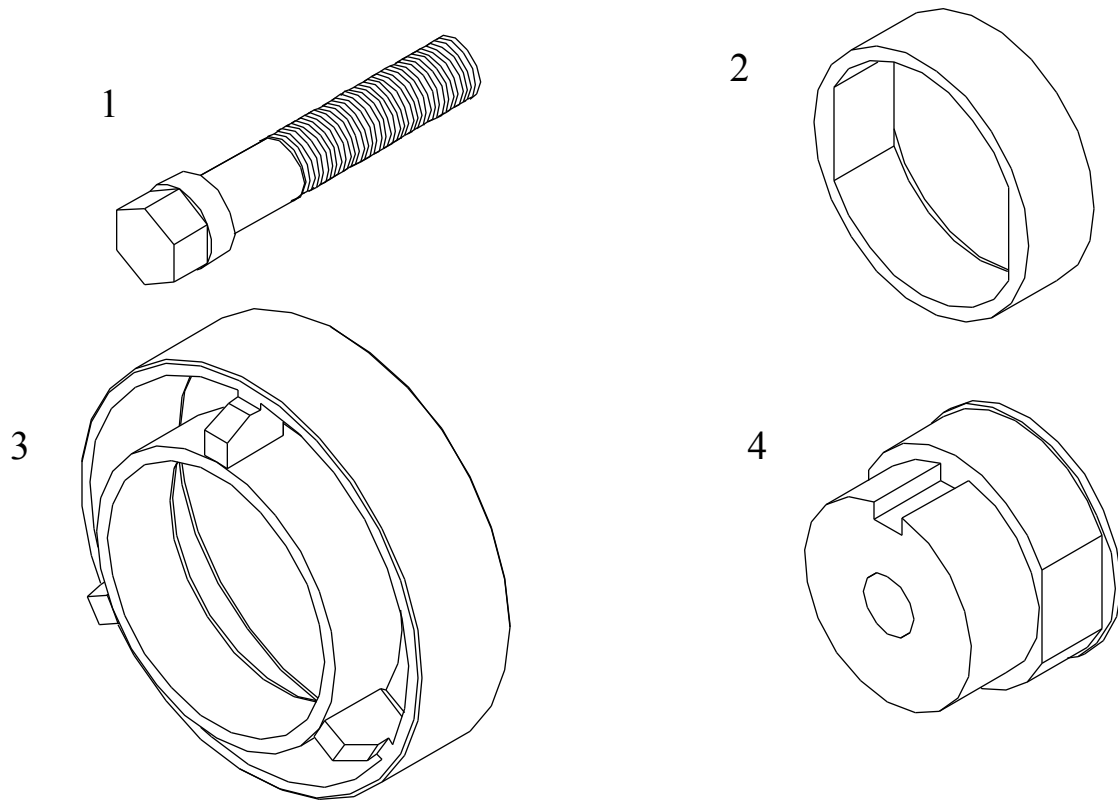


## Drive Keys



Item	Part number	Description	Quantity
1	E100-BA048	DRIVE KEY LONG	AS REQUIRED
2	E100-BA049	EXTENSION SHAFT KEY	AS REQUIRED
3	E050-BA050	DRIVE KEY EXTRA SHORT	AS REQUIRED
4	E100-BA047	DRIVE KEY SHORT	AS REQUIRED

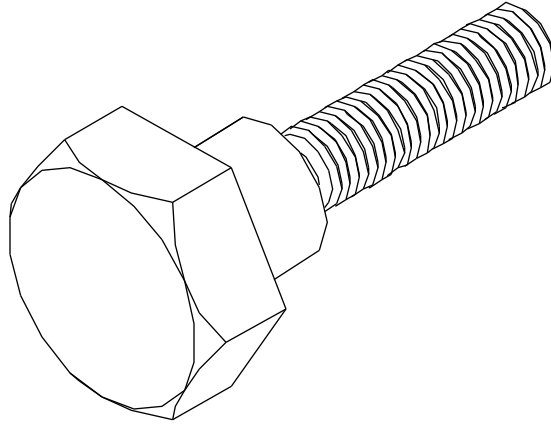
## Spider bearing



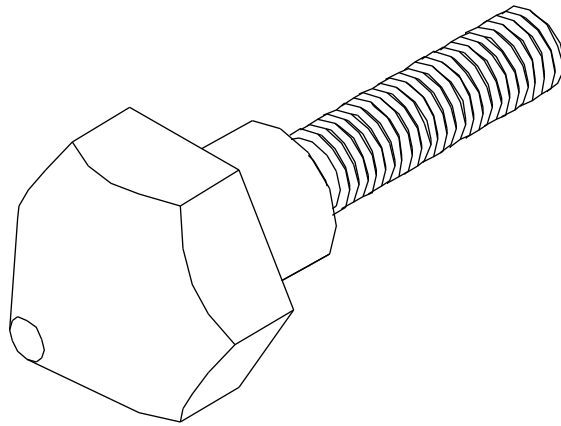
Item	Part number	Description	Quantity
1	E300-BA106	SPIDER RETAINER BOLT	1
2	E300-BA104	SPIDER BEARING BUSH	1
3	E300-BA103	SPIDER BEARING OUTER RING	1
4	E300-BA105	SPIDER BEARING END RETAINER	1

Nose bullets

1



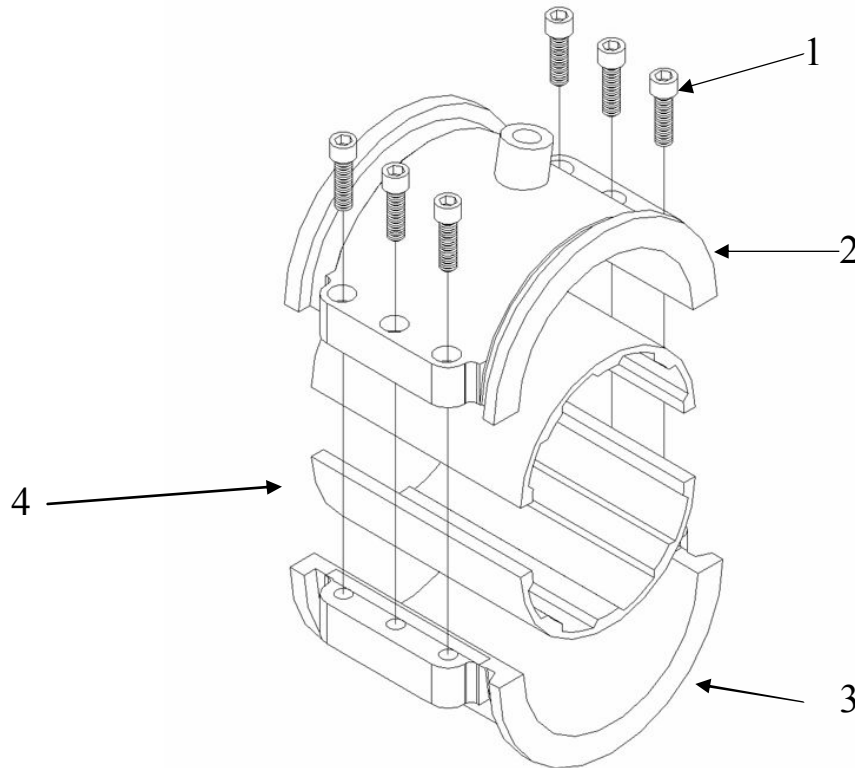
2



Item	Part number	Description	Quantity
1	E100-BA037	FLAT NOSE BULLET	1
2	E100-BA036	CONICAL NOSE BULLET	1

## 2 Barrel assemblies

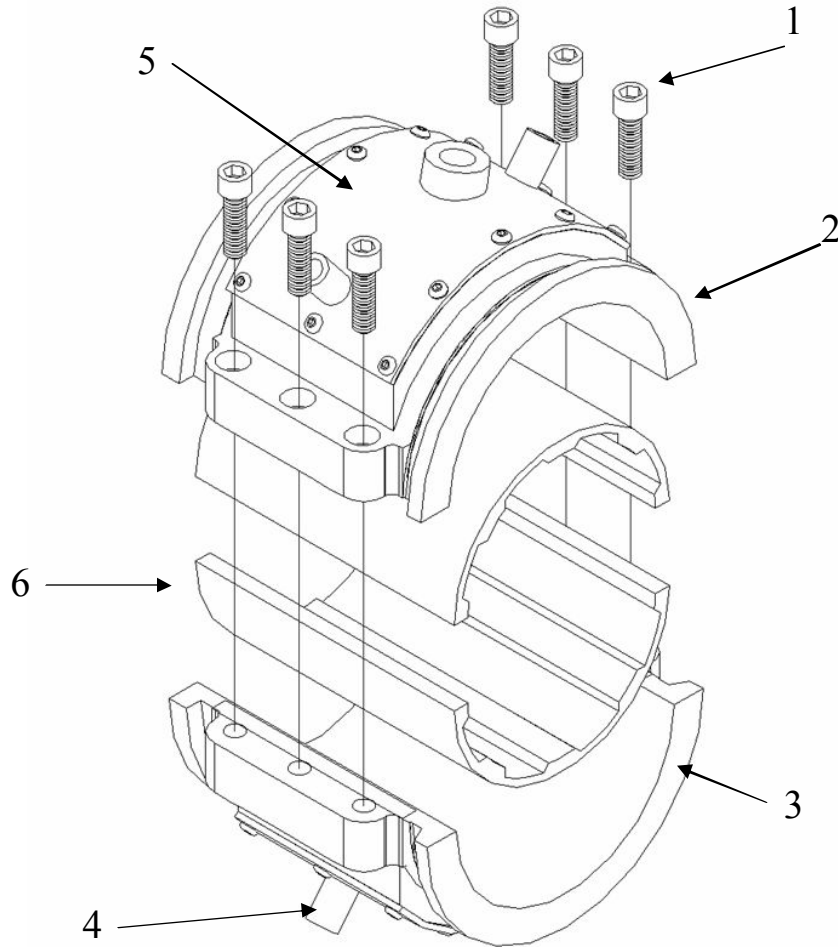
### Split barrel Standard



Item	Part number	Description	Quantity
1	E100-BA139	CAPSCREW M12 X 40	6
2	E100-BA080	SPLIT BARREL UPPER	1
3	E100-BA081	SPLIT BARREL LOWER	1
4	E100-BA082 OR	NIHARD LINER	2
	E100-BA084 OR	STRAIGHT GROOVE	2
	E100-BA087	NIHARD SPIRAL LINER	2

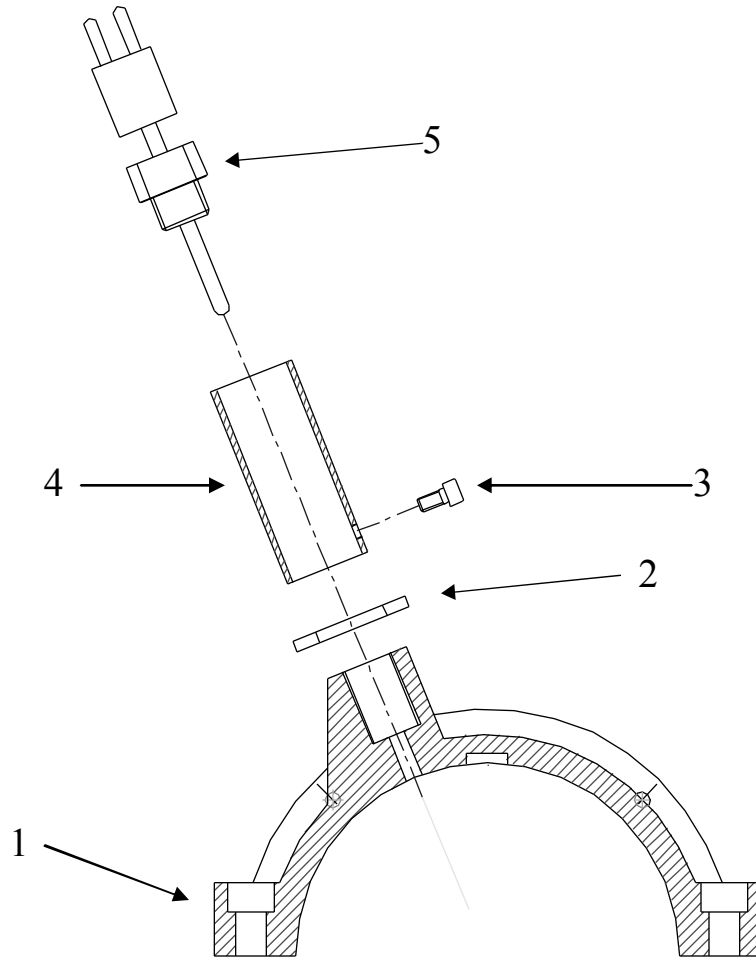


## Split barrel cooled



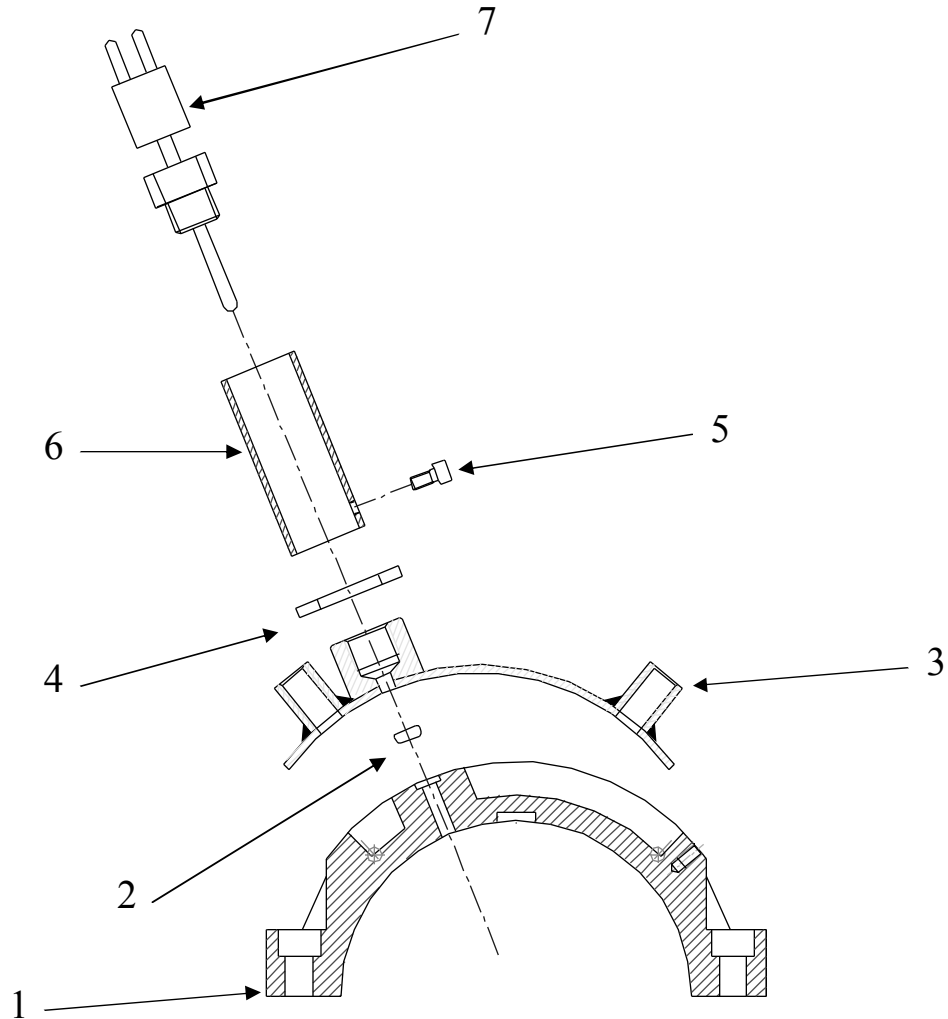
Item	Part number	Description	Quantity
1	E100-BA139	CAPSCREW M12 X 40	6
2	E300-BA101	SPLIT BARREL UPPER –SUIT JACKET	1
3	E300-BA102	SPLIT BARREL LOWER–SUIT JACKET	1
4	E300-BJ104	SPLIT BARREL JACKET LOWER	1
5	E300-BJ103	SPLIT BARREL JACKET UPPER	1
6	E100-BA082 OR	NIHARD LINER	2
	E100-BA084 OR	STRAIGHT GROOVE LINER	2
	E100-BA087 OR	NI HARD SPIRAL LINER	2

## Thermometer Probe split barrel standard



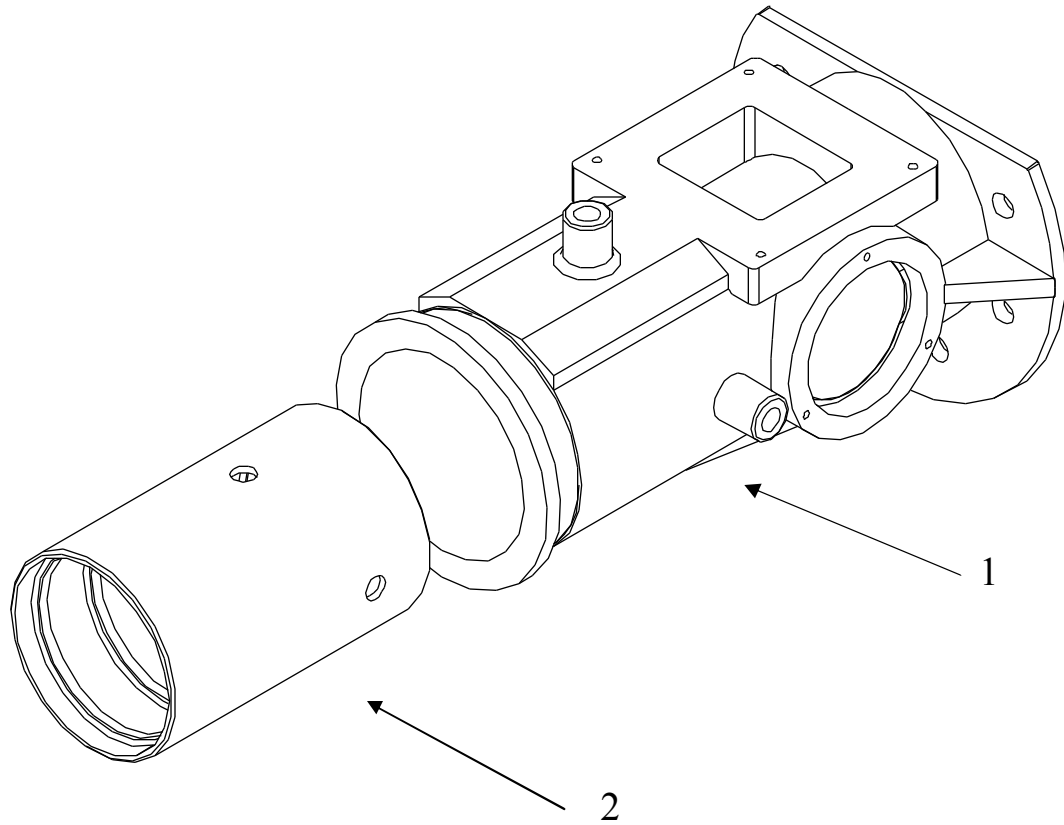
Item	Part number	Description	Quantity
1	E100-BA080	SPLIT BARREL UPPER	1
2	E100-BA083	½" BSP LOCK NUT	1
3	E100-BA062	CAPSCREW M6 X 12 S/S	1
4	E100-BA063	THERMOMETER PROBE PROTECTION SHIELD	1
5	E300-BA060	THERMOMETER PROBE – PT100	1

## Thermometer probe split barrel jacketed



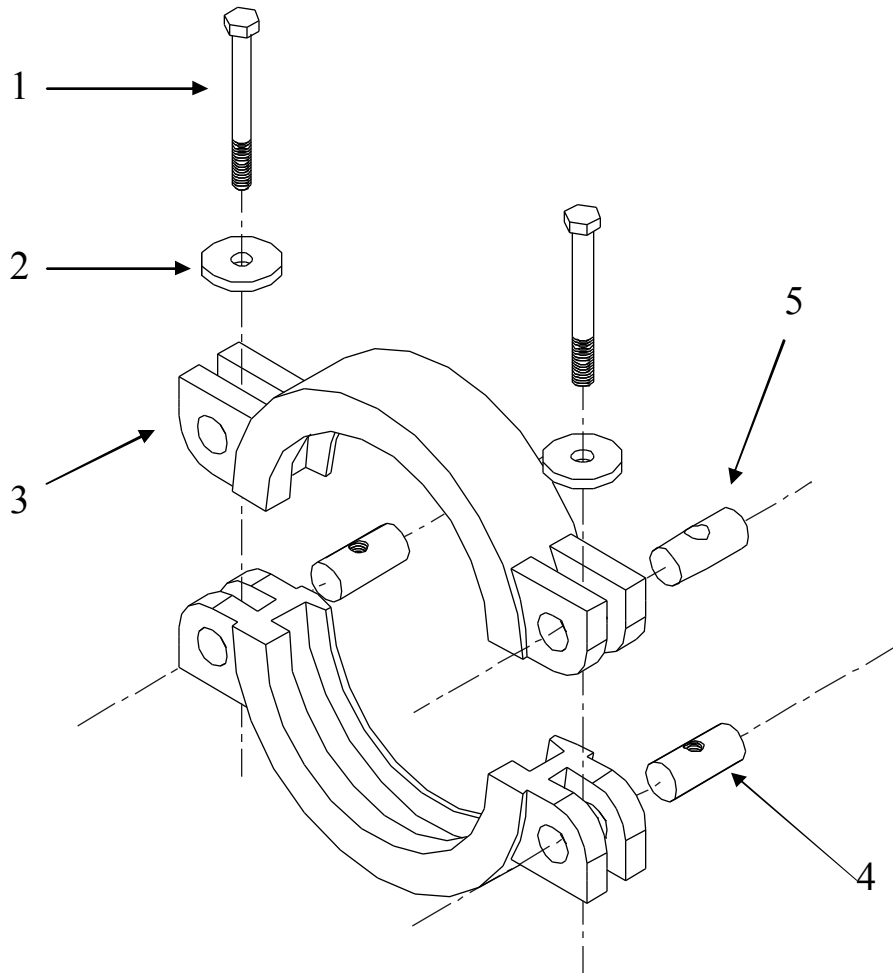
Item	Part number	Description	Quantity
1	E300-BA101	SPLIT BARREL UPPER-SUIT JACKET	1
2	E100-BJ003	TEMPERATURE PORT "O" RING	1
3	E300-BJ103	BARREL JACKET UPPER	1
4	E100-BA083	1/2" BSP LOCK NUT	1
5	E100-BA062	CAPSCREW M6 X 12 S/S	1
6	E100-BA063	THERMOMETER PROBE PROTECTION SHIELD	1
7	E300-BA060	THERMOMETER PROBE - PT100	1

Feed intake housing



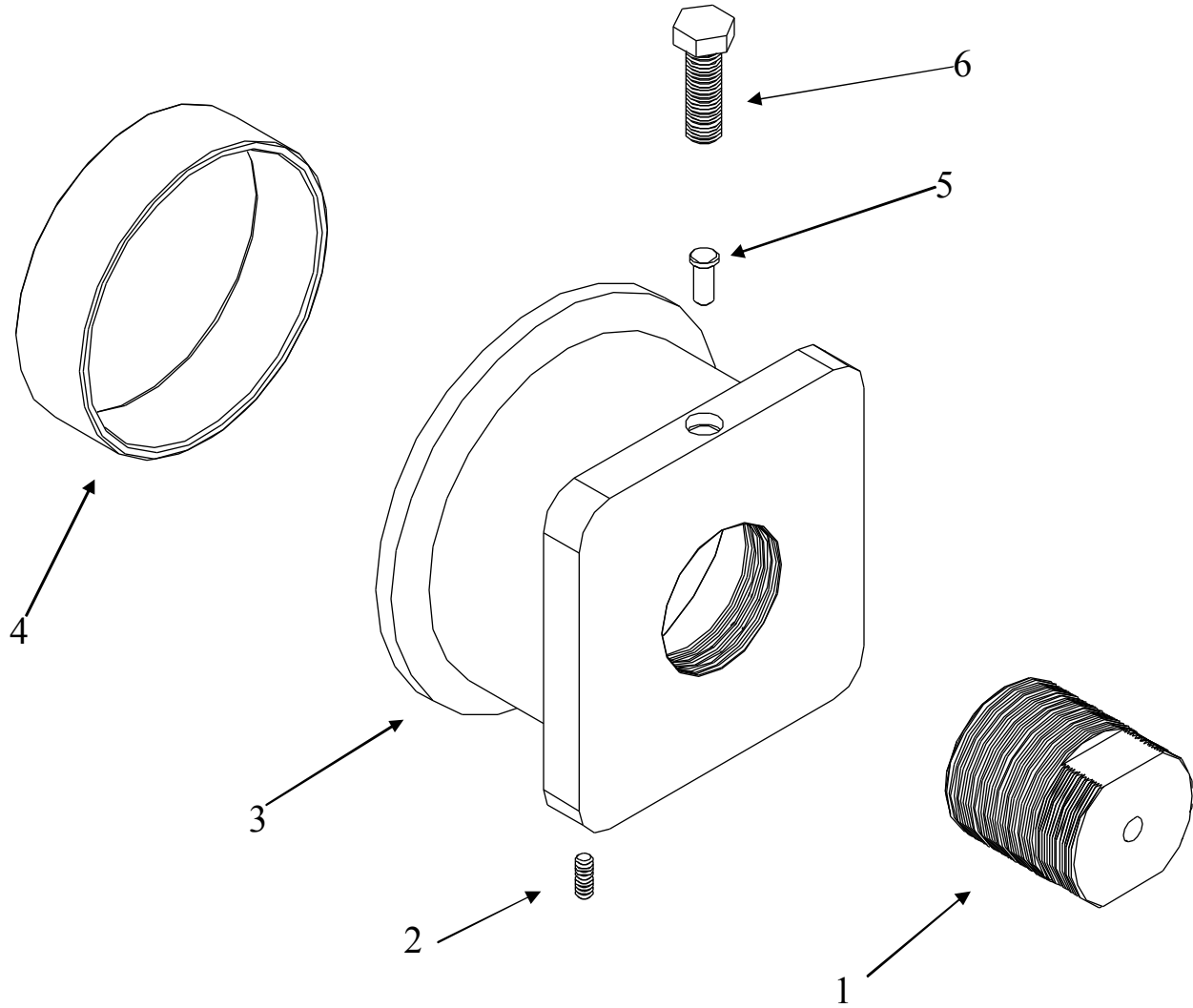
Item	Part number	Description	Quantity
1	E100-BA128	FEED INTAKE RH (LINER) SIDE ENTRY	1
2	E100-BA132	SPIRAL LINER	1

### 3 Clamps



Item	Part number	Description	Quantity
1	E100-BA138	BOLT M12 X 110	2
2	E100-BA135	WASHER 50 X 13 X 6	2
3	E100-BA134	CLAMP	2
4	E100-BA136	CLAMP PIN THREADED	2
5	E100-BA137	CLAMP PIN PLAIN	1

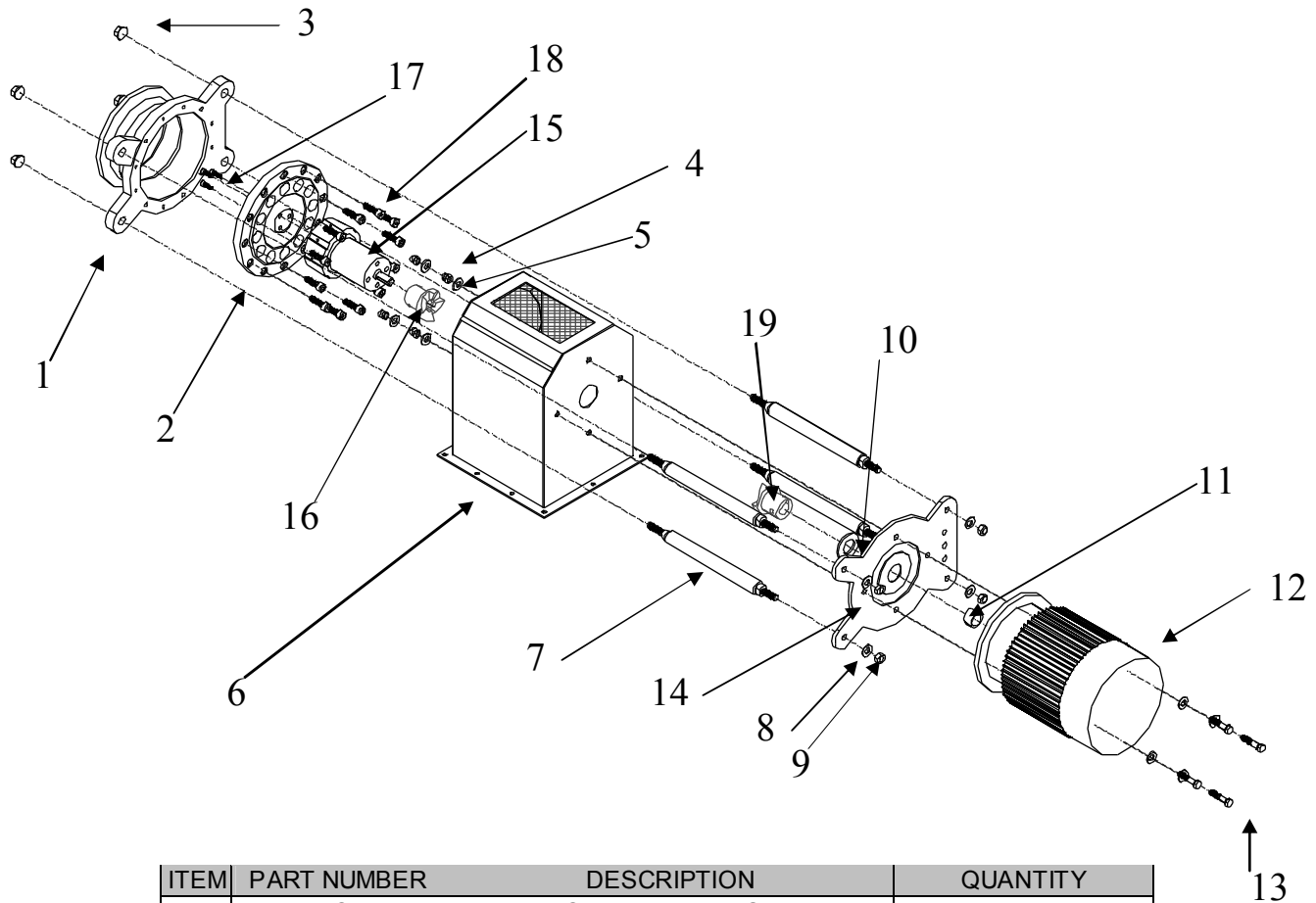
## 4 Barrel end section



Item	Part number	Description	Quantity
1	E300-BA038	NOZZLE PIECE 8MM LEFT HAND	1
	E300-BA039	NOZZLE PIECE 12MM LEFT HAND	1
	E300-BA040	NOZZLE PIECE 16MM LEFT HAND	1
	E300-BA090	NOZZLE PIECE 10MM LEFT HAND	1
2	E100-BA069	M8 X 12 GRUBSCREW	1
3	E300-BA033	BARREL END SECTION LEFT HAND	1
4	E100-BA043	WEAR RING HARDENED	1
5	E100-BA046	NOZZLE PIECE RETAINING PLUG	1
6		HEX BOLT M16 X 50MM	1

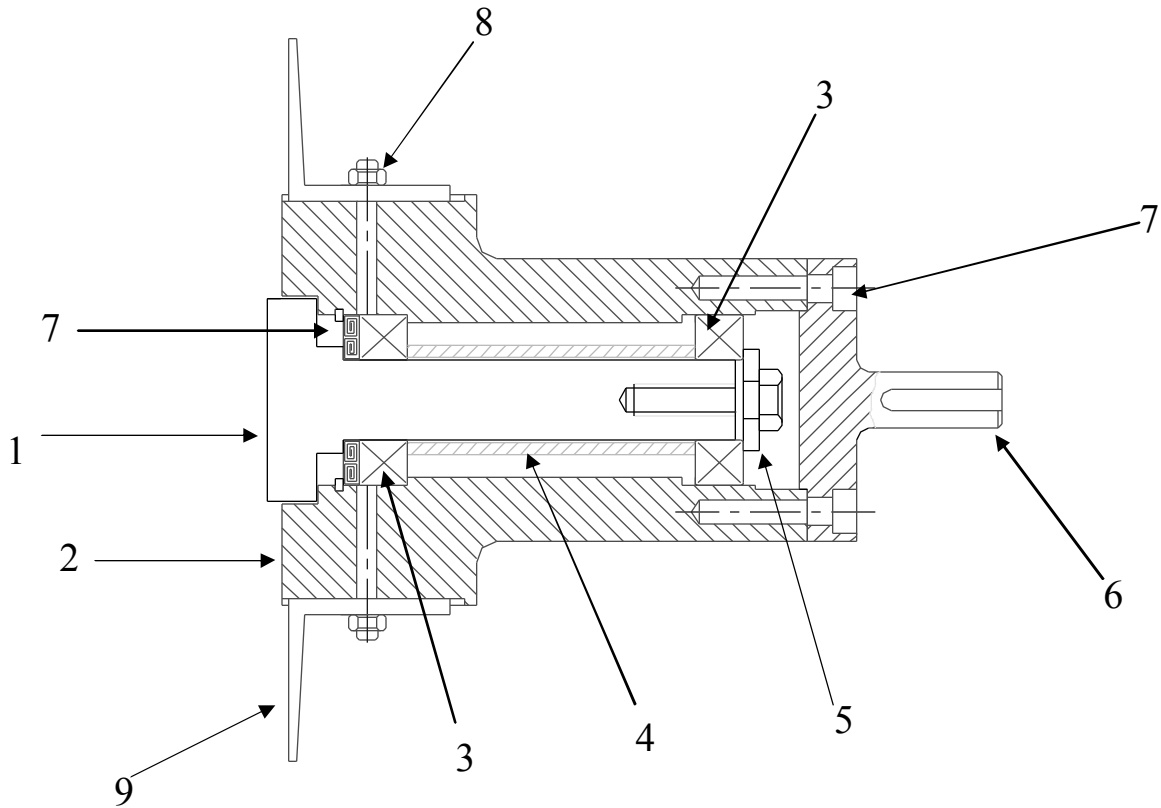
## 5 Cutter

Cutter head, cutter and motor assembly



ITEM	PART NUMBER	DESCRIPTION	QUANTITY
1	E300-CU106	CUTTER HEAD S3	1
2	E300-CU160 OR E300-CU161	30MM INSERT DIE PLATE S3 OR 19MM INSERT DIE PLATE S3	1
3	E300-OC006	M12 FLANGE NUT S/S	4
4	S600-SC121	DOME NUT M10 S/S	4
5		M10 FLAT WASHER S/S	8
6	E300-CU104	CUTTER COVER	1
7	E300-CU102	CUTTER BARS	4
8		M12 FLAT WASHER S/S	4
9	S200-SC105	M12 GLENLOCK NUT	4
10	E300-OC005	LABRYNTH SEAL 30 ID	1
11	E300-OC010	SHRINK FIT MOTOR SLEEVE	1
12	E300-OC001	1.5 KW AC ALUMINIUM MOTOR	1
13		M10 X 35 S/S BOLT	4
14	E300-CU103	CUTTER MOTOR FLANGE	1
15		CUTTER ASSEMBLY	1
16	E300-CU108	AUTOCOUPLE 14MM	1
17	E005-CU021	CAPSCREW M6 X 20	3
18	E100-CU080	CAPSCREW M10 X 35	12
19	E300-CU107	AUTOCOUPLE 24MM	1

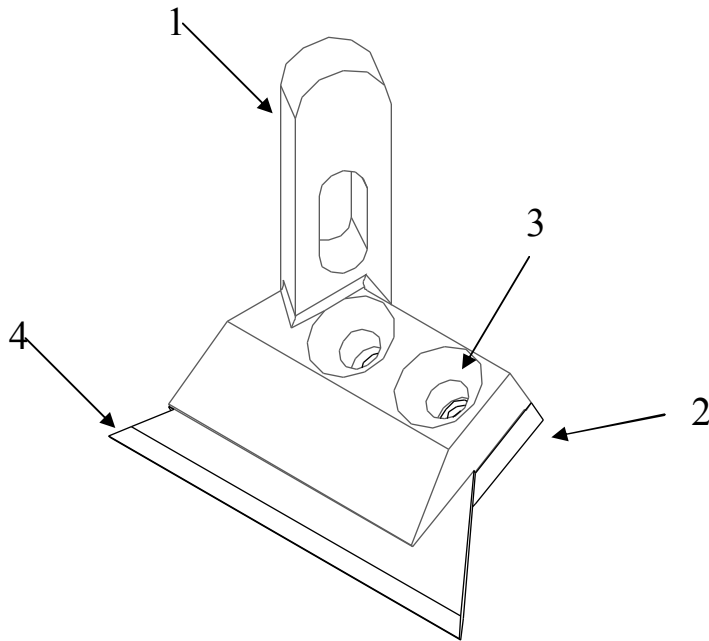
## Cutter



Item	Part number	Description	Quantity
1	E005-CU011	CUTTER SHAFT	1
2	E300-CU109	CUTTER CAGE S3	1
3	E005-CU010	BEARING	2
4	E005-CU017	BEARING SPACER SLEEVE	1
5	E005-CU013	RETAINING WASHER	1
6	E005-CU012	CUTTER DRIVE STUB	1
7	E005-CU023	CAPSCREW M6 X 16	4
8	E100-CU205	KNIFE ATTACHMENT FASTNER	8
9	E100-CU200	90° KNIFE BLADE	AS REQUIRED
	Or E300-CUSA03	KNIFE HOLDER COMPLETE	AS REQUIRED

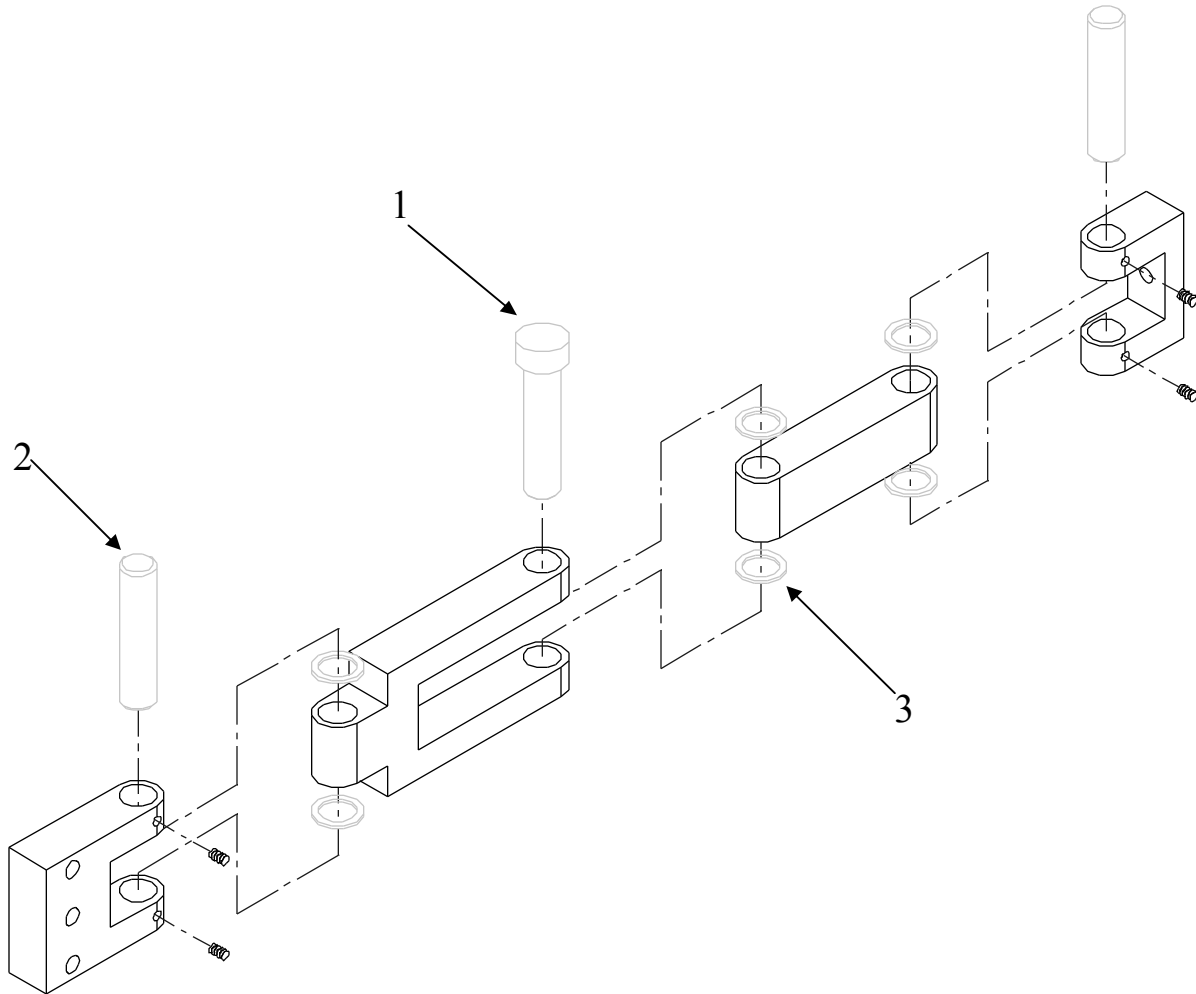


## Knife holder complete



Item	Part number	Description	Quantity
1	E300-CU020	KNIFE HOLDER	1
2	E300-CU021	KNIFE HOLDER CLAMP PIECE	1
3	E300-CU022	M5X12 CS SHCS	2
4	E300-CU023	KNIFE BLADES (X100)	1

## Cutter hinge



Item	Part number	Description	Quantity
1	E300-CU099	BRONZE PIN CAPPED	1
2	E300-CU098	BRONZE PIN	1
3	E300-CU097	BRONZE WASHER	1

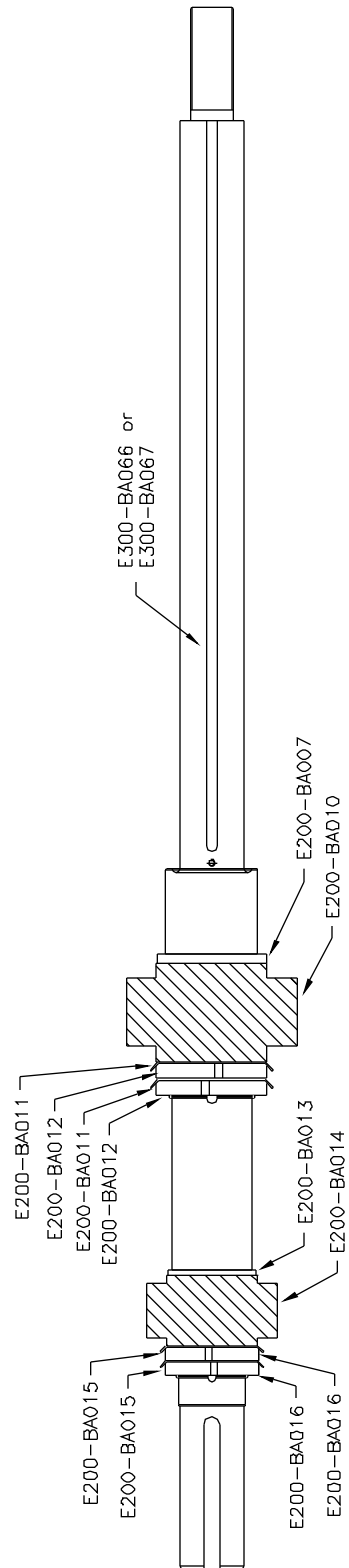
## 6 Shaft

### Main shafts

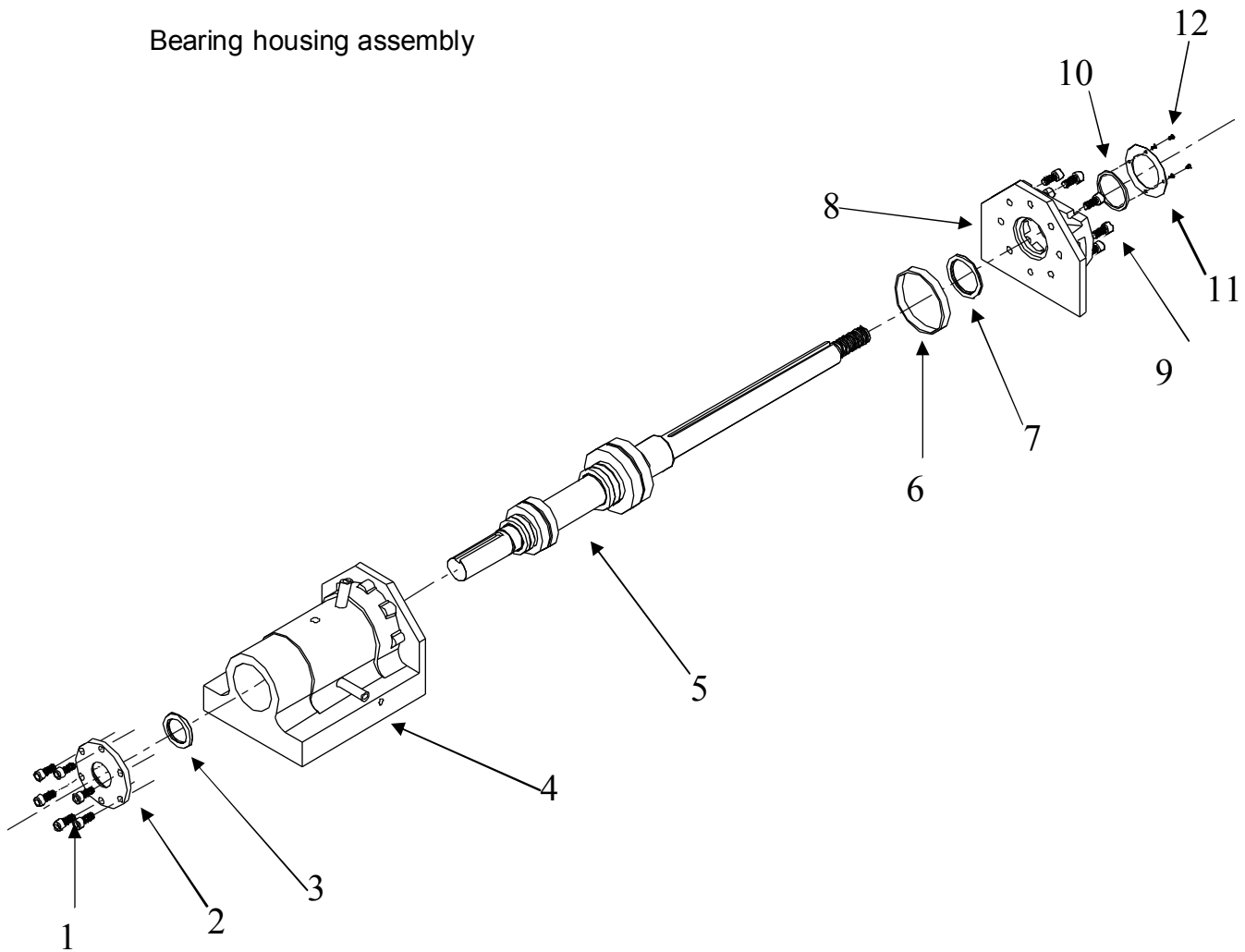


Item	Part number	Description	Quantity
1	E300-BA067	6 BARREL MAINSHAFT	1
2	E300-BA066	EXTENDABLE MAINSHAFT	1
3	E100-BA140	3 BARREL EXTENSION PIECE	1
4	E100-BA100	2 BARREL EXTENSION PIECE	1
5	E100-BA025	1 BARREL EXTENSION PIECE	1

Shaft assembly

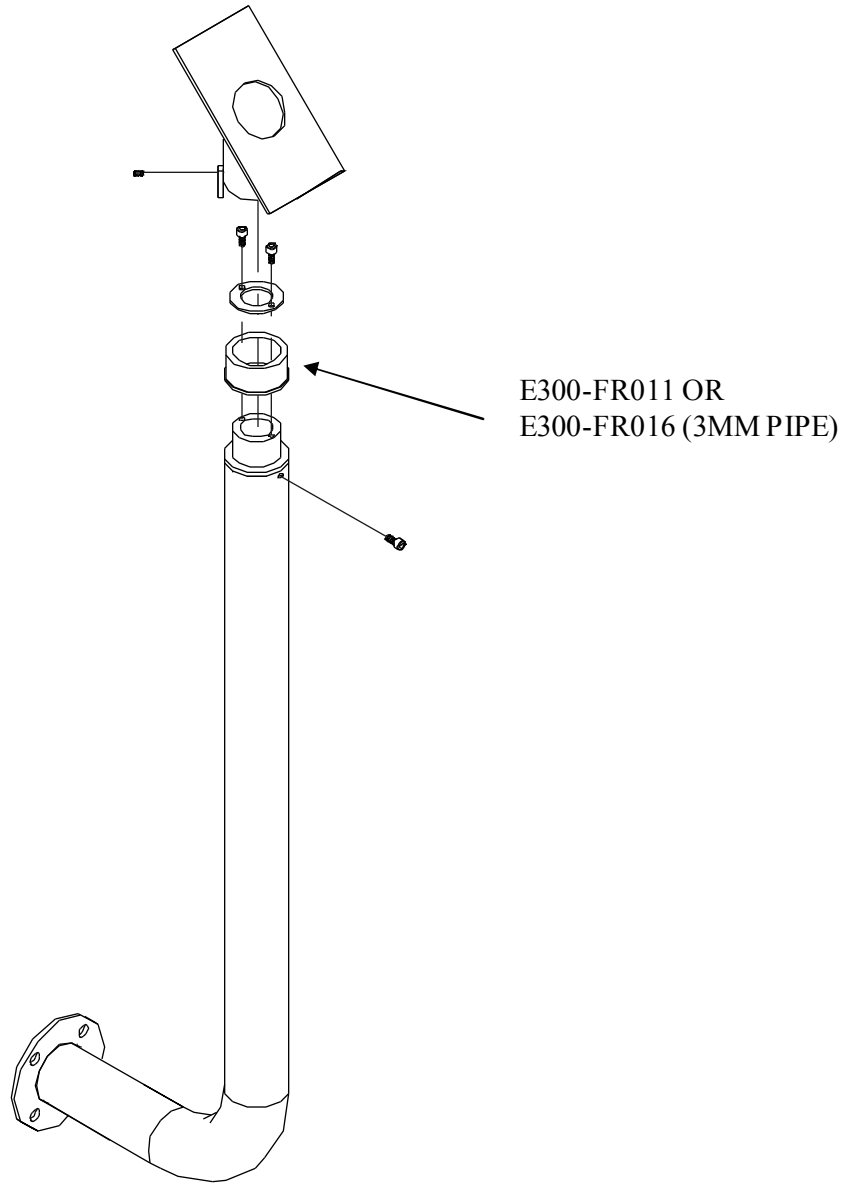


## Bearing housing assembly

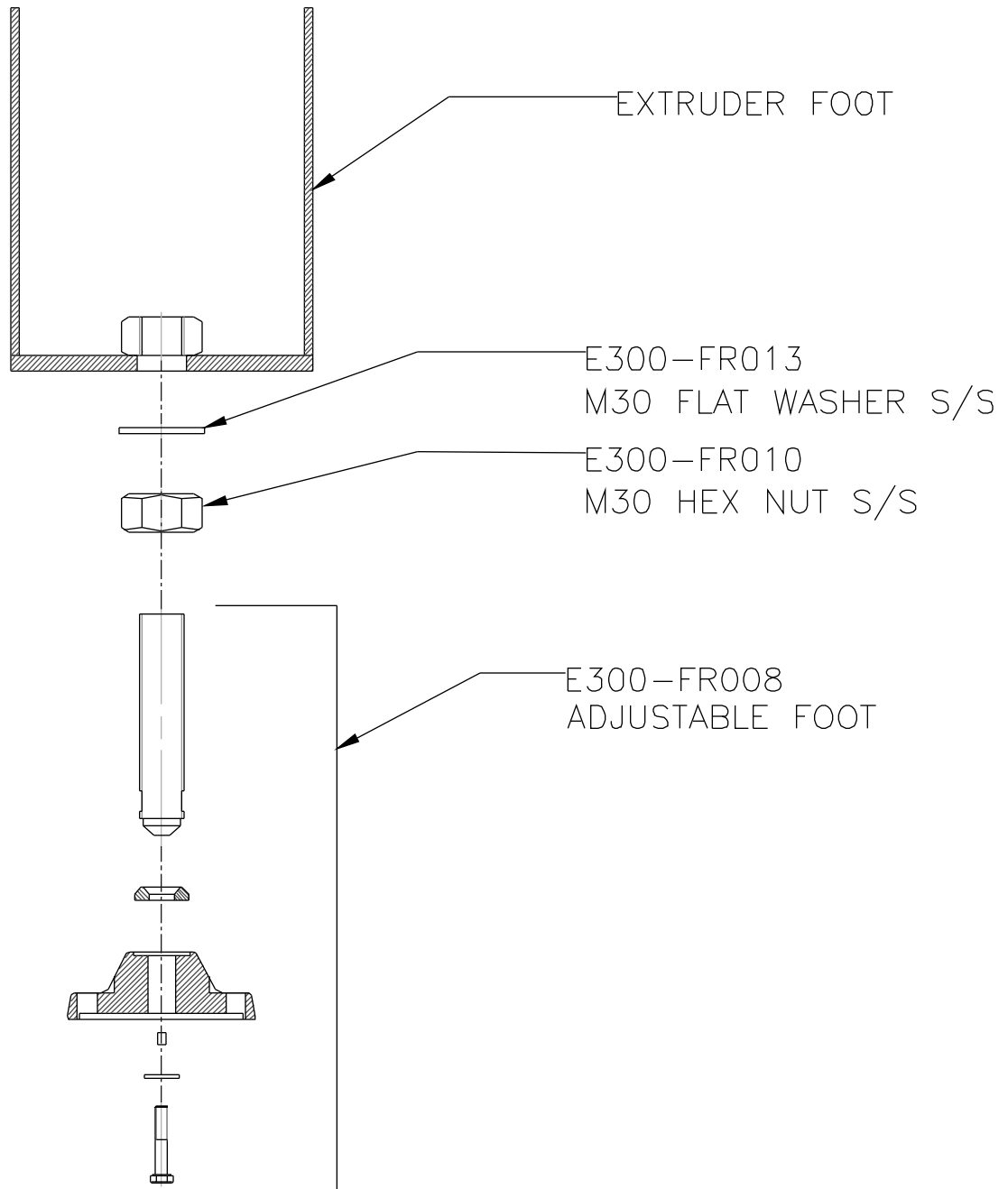


Item	Part number	Description	Quantity
1	E600-BA006	CAPSCREW M20 X 45	6
2	E200-BA003	REAR END PLATE	1
3	E200-BA017	REAR SEAL	1
4	E200-BA201	BEARING HOUSING	1
5		SHAFT ASSEMBLY	1
6	E200-BA008	FRONT BEARING RETAINER	1
7	E200-BA009	FRONT SEAL	1
8	E200-BA265	FRONT PLATE	1
9	E600-BA006	CAPSCREW M20 X 45	8
10	E200-BA027	OUTER SEAL	1
11	E200-BA028	OUTER SEAL PROTECTOR	1
12	E100-BA076	SCREW CSK M6 X 12	4

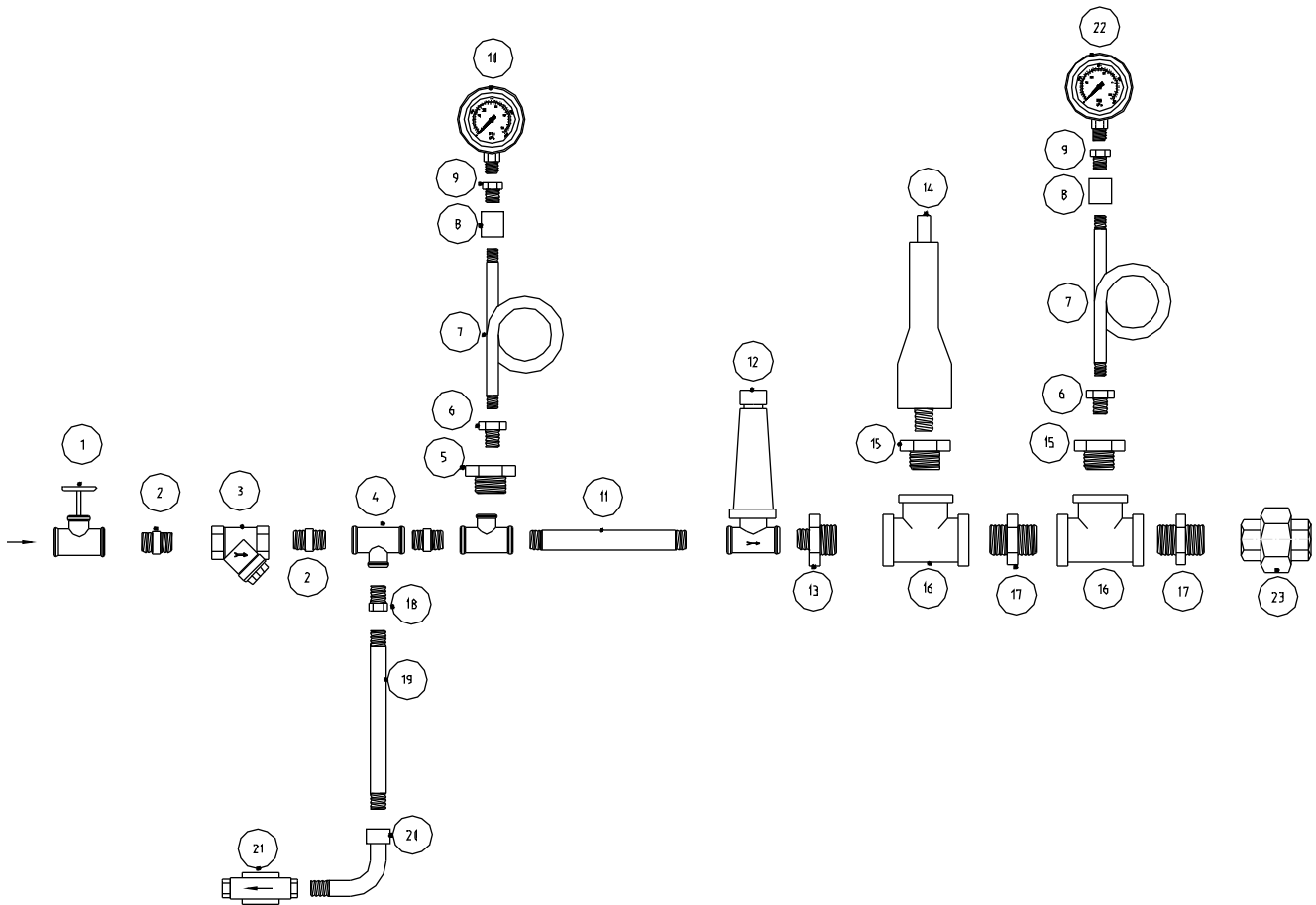
## 7 Control Arm



## 8 Articulated feet



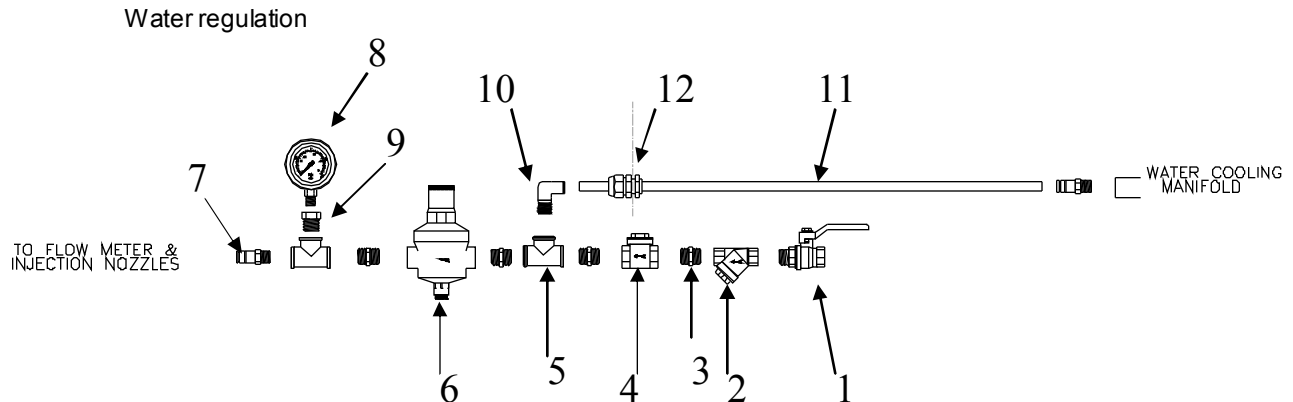
## 9 Steam Kit



Item	Name	Description	Qty
1	S050-SV002	32MM GLOBE VALVE	1
2	S050-SV029	32MM HEX NIPPLE	3
3	S600-SV007	32MM STRAINER	1
4	S100-SV032	32MM TEE	2
5	S600-SV018	32-25MM REDUCER BUSH	1
6	S100-SV021	25-10MM REDUCER BUSH	2
7	S100-SV010	10MM PIGTAIL	2
8	S100-SV013	10MM BARREL SOCKET	2
9	S100-SV014	10-8MM REDUCER BUSH	2
10	S100-SV009	1000kPa PRESSURE GAUGE	1
11	S600-SV019	PIPE PIECE 32MM X 150MM	1
12	S600-SV024	32MM PRESSURE REDUCER	1
13	S600-SV025	50-32MM	1
14	S100-SV007	25MM SAFETY VALVE	1
15	S600-SV011	50-25MM REDUCER BUSH	2
16	S600-SV012	50MM TEE	2
17	S600-SV010	50MM HEX NIPPLE	2
18	S600-SV022	32-15MM REDUCER BUSH	1
19	S100-SV056	PIPE PIECE 15MM X 100MM	1
20	S100-SV018	MF 90° BEND 15MM	1
21	S100-SV003	STEAM TRAP	1
22	S100-SV008	600kPa STEAM GAUGE	1
23	S600-SV013	50MM MAC UNION	1

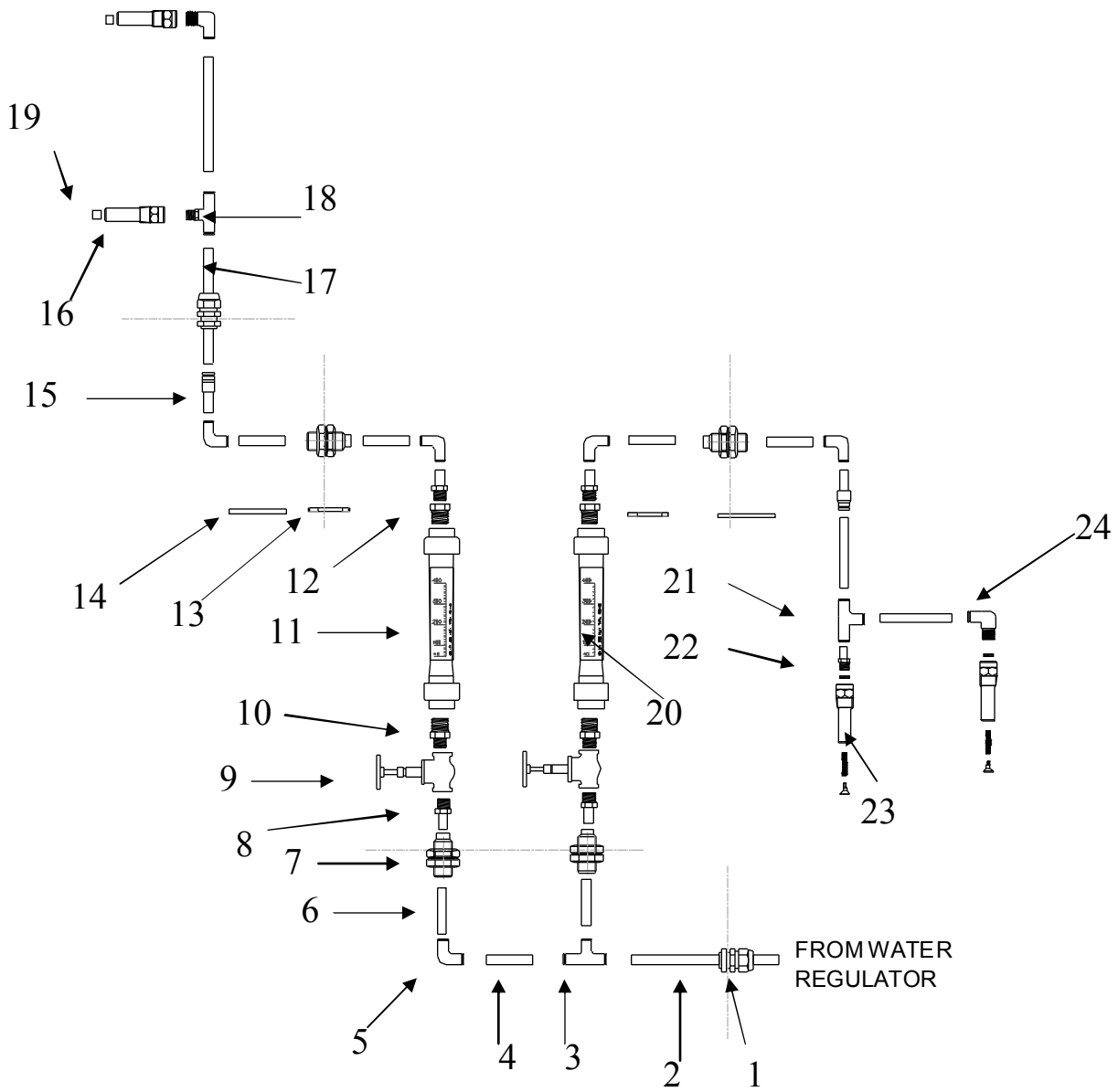


## 10 Water injection assembly



Item	Part number	Description	Quantity
1	E100-WI013	½" BSP BALL VALVE	1
2	E100-WI012	½" BSP STRAINER	2
3	E100-WI017	½" BSP HEX NIPPLE	4
4	E100-WI016	½" BSP NON-RETURN VALVE	1
5	E100-WI018	½" BSP BRASS TEE	2
6	E100-WI014	½" PRESSURE REDUCING VALVE	1
7	E100-WI140	12MM – ½" BSP STRAIGHT ADAPTER	2
8	S100-SV008	PRESSURE GUAGE	1
9	E100-WI019	½" X ¼" REDUCER BUSH	1
10	E100-WI142	½" – 12MM SWIVEL ELBOW	1
11	E100-WI144	12MM NYLON HOSE	3M
12		20MM GLAND	1

Water injection

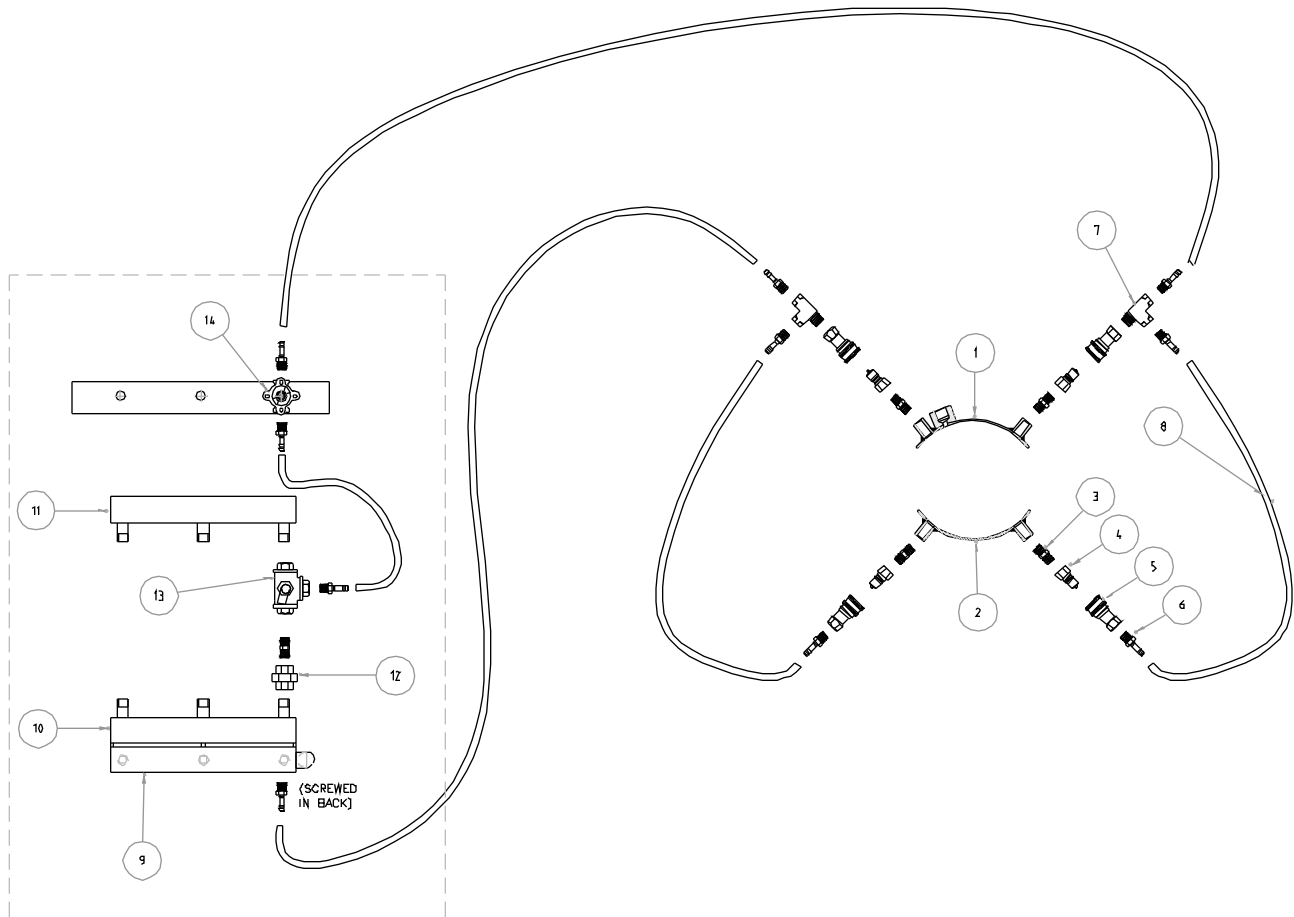


➤ See overleaf for item list

Item	Part number	Description	Quantity
1		20MM GLAND	2
2	E100-WI144	12MM NYLON HOSE	2M
3	E100-WI134	12MM TEE CONNECTOR	1
4	E100-WI144	12MM NYLON HOSE	
5	E100-WI133	12MM ELBOW CONNECTOR	5
6	E100-WI139	12MM STRAIGHT STEM CONNECTOR	6
7	E100-WI137	12MM BULKHEAD CONNECTOR	4
8	E100-WI138	12MM STEM – ½” BSP	4
9	E600-WI010	GLOBE VALVE RIGHT ANGLE	2
10	E100-WI066	¾” – ½” BSP REDUCER NIPPLE	2*
11	E300-WI101 OR E300-WI105	FLOWMETER 60-600L/H 225MM  FLOWMETER 60-600L/H 350MM	1  1
12	E100-WI028	¾” – ½” BSP REDUCER BUSH	2*
13		6MM THREADED ROD S/S	2
14		6.5 DIA S/S TUBE	2
15	E100-WI132	10MM-12MM REDUCER CONNECTOR	2
16	S100-SC070	WATER INJECTION VALVE BODY	2
17	E100-WI143	10MM NYLON HOSE	1M
18	E100-WI191	10MM – 3/8” SWIVEL TEE ADAPTER	1
19	S600-SC018	WATER INJECTION NOZZLE	2
20	E300-WI102 OR E300-WI104	FLOWMETER 25- 250 L/H 225MM  FLOWMETER 25- 250 L/H 350MM	1
21	E100-WI145	10MM TEE CONNECTOR	1
22	E100-WI146	10MM – 3/8” BSP STRAIGHT ADAPTER	1
23	E100-WISA01	WATER INJECTION VALVE COMPLETE	2
24	E100-WI141	10MM-3/8” BSP ELBOW ADAPTER	2

- note Item 10 and Item 12 on barrel injection side may be exchanged or removed depending on actual flow meter installed

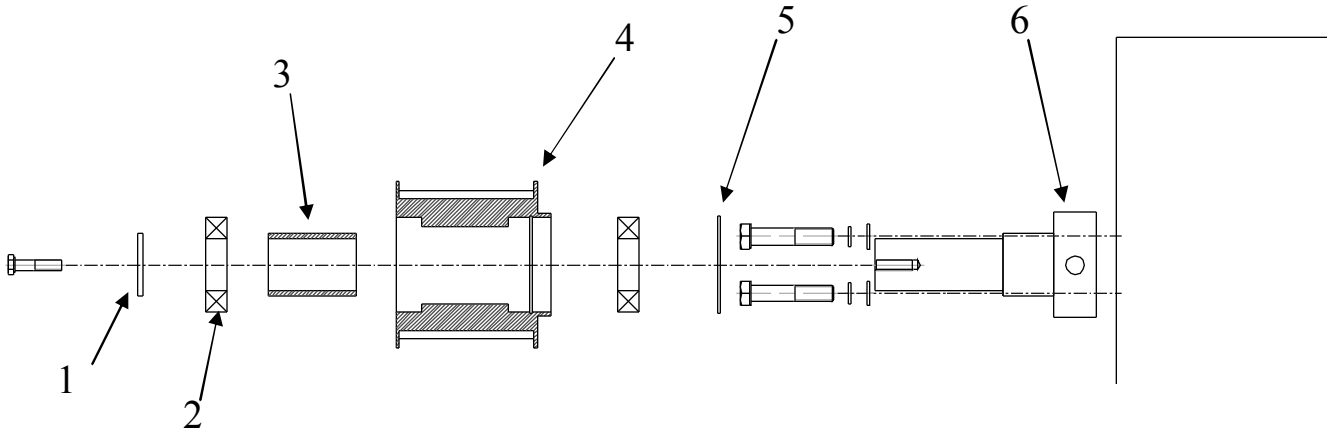
## 11 Barrel heating/cooling



Item	Name	Description	Qty
1	E300-BJ103	SPLIT BARREL JACKET UPPER	1
2	E300-BJ104	SPLIT BARREL JACKET LOWER	1
3	E300-BJ008	3/8" S/S HEX NIPPLE	5
4	E300-BJ003	3/8" COUPLER PLUG MALE	4
5	E300-BJ004	3/8" COUPLER PLUG FEMALE	4
6	E300-BJ001	3/8" PUSH-ON HOSE TAIL	10
7	E300-B002	FFM BRASS TEE	2
8	E300-BJ005	3/8" HP STEAM HOSE	5
9		RETURN MANIFOLD	1
10		STEAM MANIFOLD	1
11		WATER MANIFOLD	1
12	E300-BJ007	3/8" S/S MAC UNION	1
13	E300-BJ006	3/8" LPORT 3 WAY VALVE	1
14	E300-BJ009	3/8" CONTROL VALVE	1

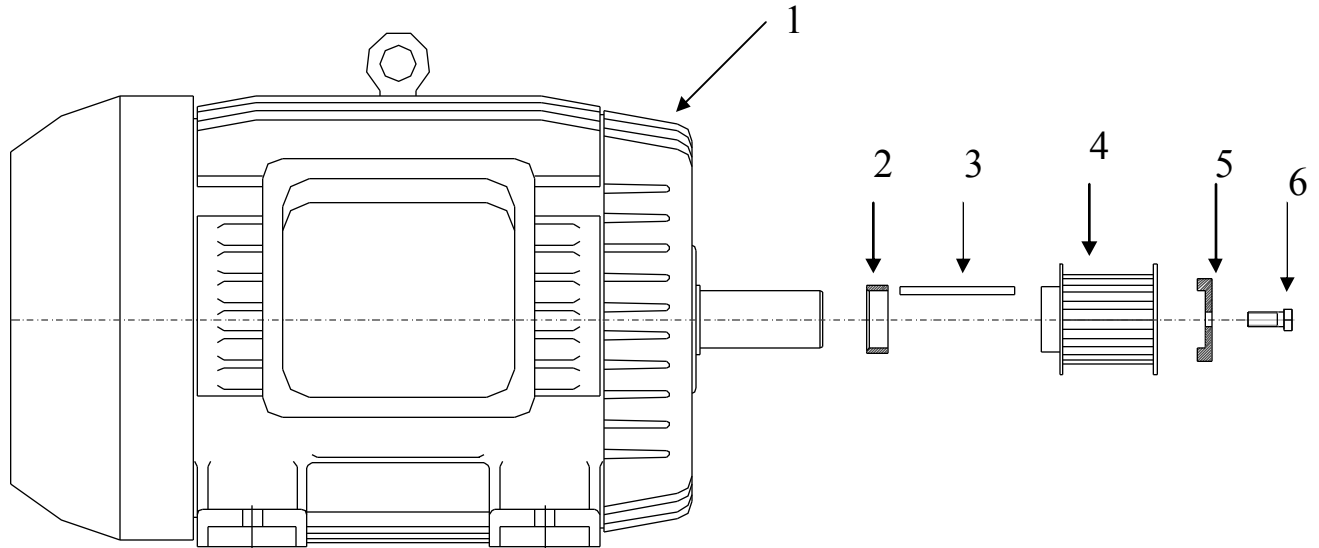
## 12 Drive

### Idler



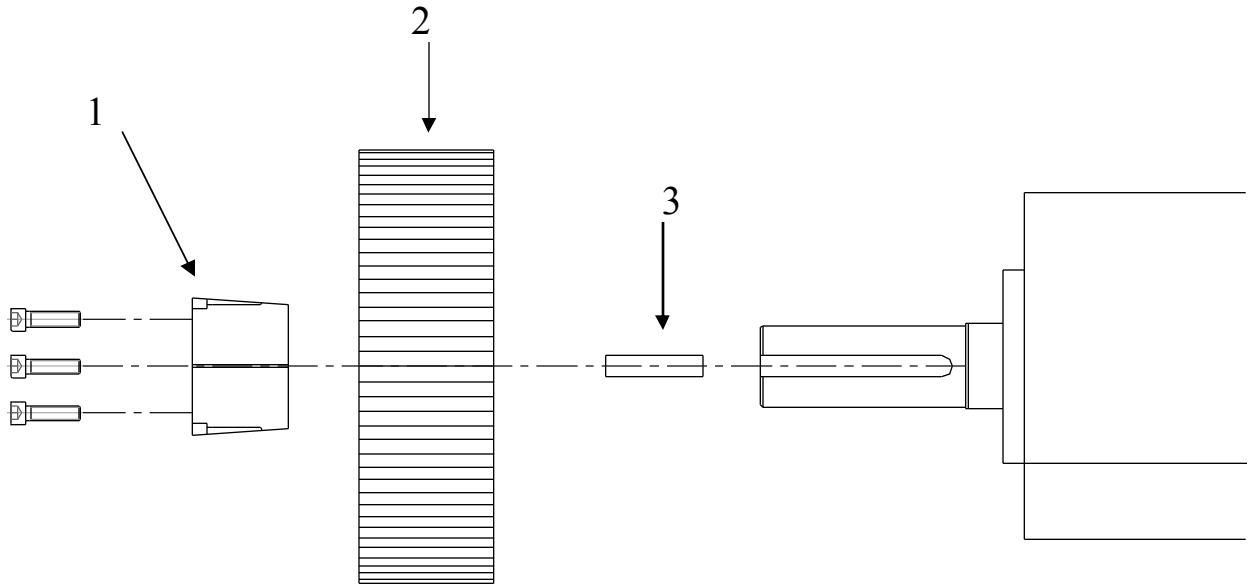
Item	Part number	Description	Quantity
1	E300-DR106	CLAMPING WASHER	1
2	E300-DR105	BEARING	2
3	E300-DR107	SPACER	1
4	E300-DR003	PULLEY 30T X 115	1
5	E300-DR109	CIRCLIP	1
6	E300-DR104	IDLER BASE	1

## Motor



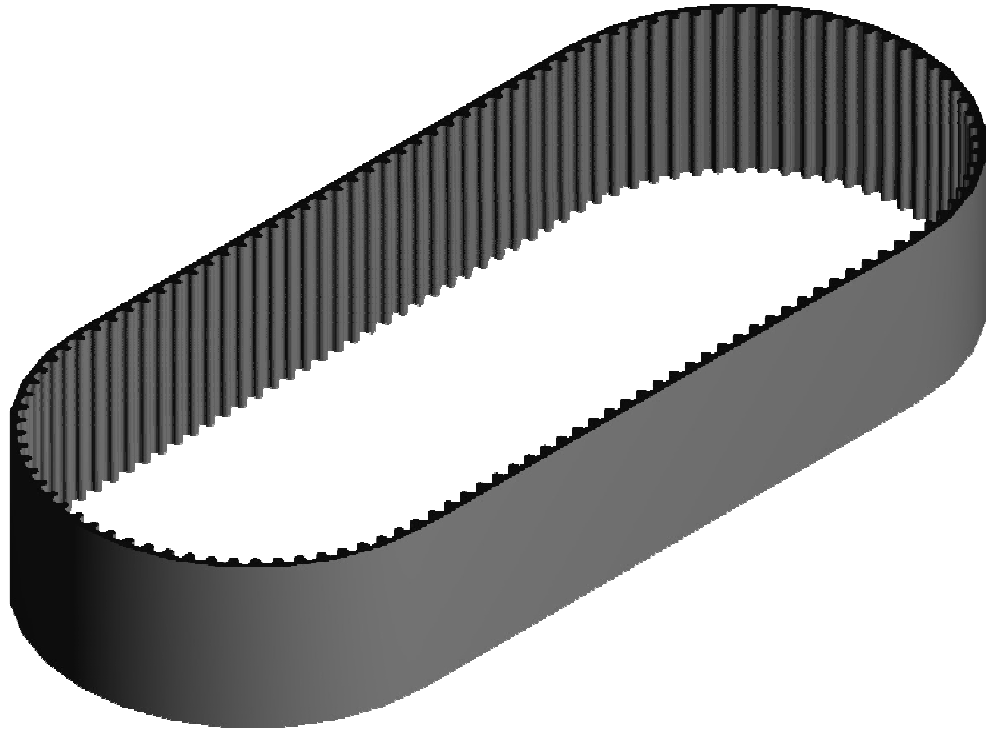
Item	Part number	Description	Quantity
1	E300-DR030	MAIN MOTOR 110 KW D315	1
2	E300-DR111	SPACER SLEEVE	1
3		DRIVE KEY	1
4	E300-DR002	PULLEY 34T X 115	1
5	E300-DR110	CLAMPING WASHER	1
6		BOLT M20 X 45	1

## Shaft Pulley



Item	Part number	Description	Quantity
1	E200-DR017	TAPERLOCK 3535 X 75	1
2	E300-DR001	PULLEY 90T X 115 14M	1
3	E200-DR050	DRIVE KEY	1

Belt

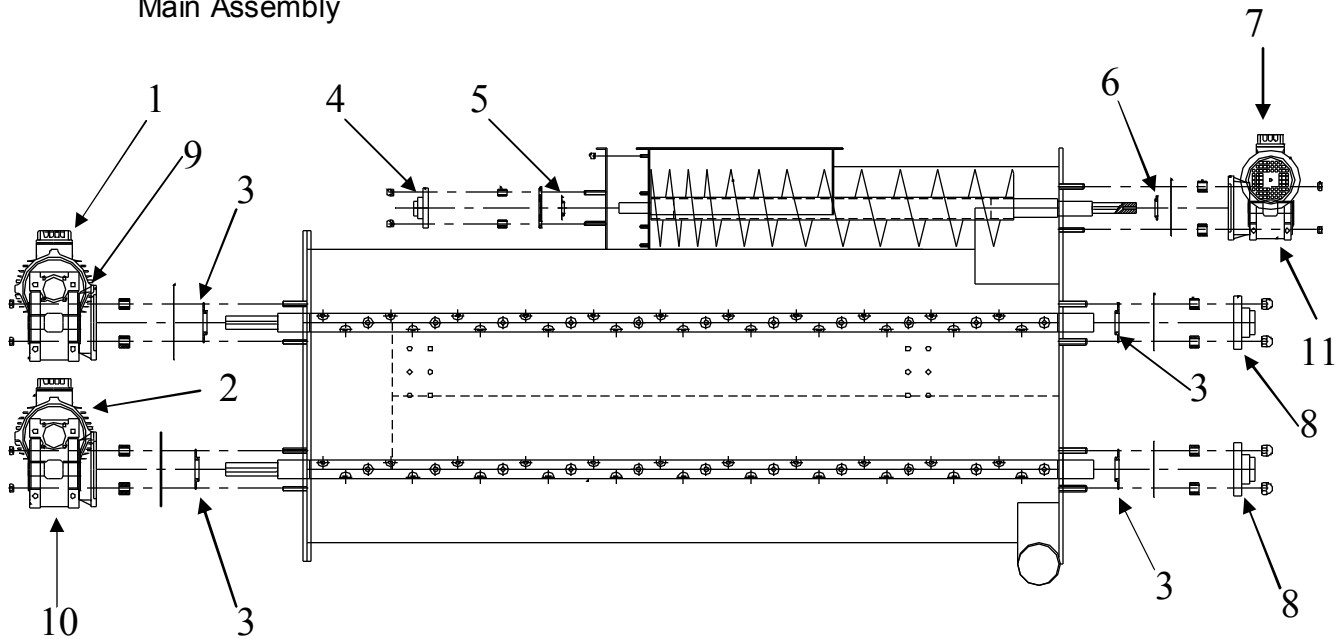


Item	Part number	Description	Quantity
1	E300-DR102	SYNCHRONOUS BELT 1890 X 14M X 120	1



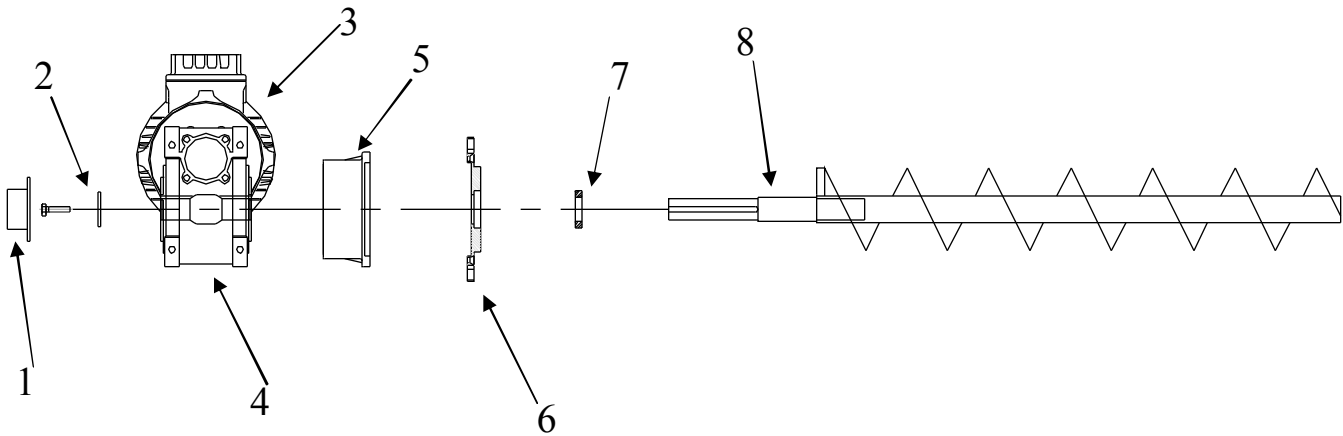
## 13 Conditioner

### Main Assembly



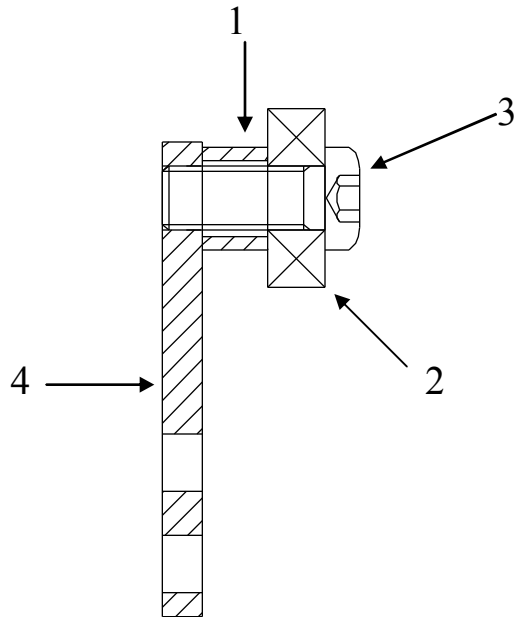
Item	Part number	Description	Quantity
1	S300-SC010	MOTOR 4KW AC	1
2	E100-OC045	MOTOR 3KW AC	1
3	S300-SC145	TEFLON SEAL 50MM	4
4	S050-SC035 +S050-SC034	BEARING HOUSING F206 +40MM UC206 BEARING	1
5	S050-SC203	SEAL	1
6	S300-SC146	TEFLON SEAL 40MM	1
7	S300-SC122	MOTOR .75KW AC	1
8	S600-SC135 + S200-SC076	BEARING HOUSING F210 + 50MM BEARING UC210	2
9	S300-SC119	GEARBOX 7.5:1	1
10	S300-SC118	GEARBOX 15:1	1
11	S300-SC117	GEARBOX 40:1	1

## Side feeder



Item	Part number	Description	Quantity
1	S600-SC051	SHAFT COVER	1
2	S050-SC017	CLAMPING WASHER	1
3	S300-SC123	1.5KW AC MOTOR	1
4	S300-SC150	GEARBOX	1
5	S600-SC052	FLANGE	1
6	S300-SC151	SEAL HOUSING/SPACER PLATE	1
7	S300-SC149	SEAL	1
8	S300-SC152	FEEDER AUGER	1

## Bypass carriage wheels



Item	Part number	Description	Quantity
1	S300-SC140	SPACER	1
2	S300-SC144	BEARING STAINLESS STEEL	1
3		CAPSCREW M8 X 20	1
4		BYPASS WHEEL ARM	1