

Spare Parts Manual Single Screw Extruder BASH-C

03/08/2009

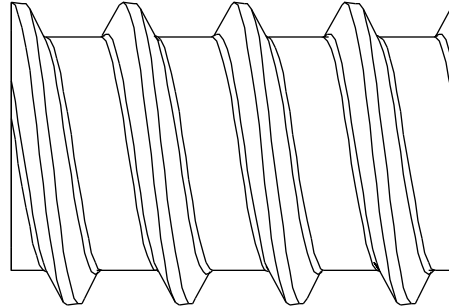
Spare Parts Manual BASH-C

Contents

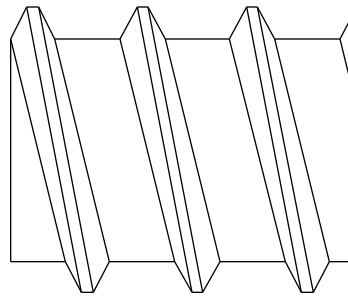
1	Screw Elements	3
2	Barrel assemblies	9
3	Clamps	12
4	Barrel end section	13
5	Cutter	14
6	Shaft	18
7	Control Arm	21
8	Articulated feet	22
9	Steam Kit	23
10	Water injection assembly	24
11	Drive	26
12	Oil Cooler	31
13	Conditioner	32
14	Steam Manifold	37

1 Screw Elements

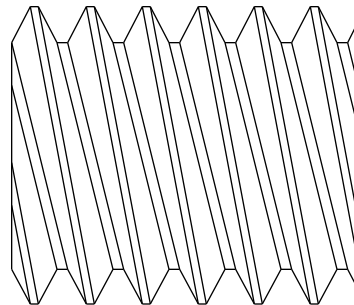
SINGLE FLIGHT SCREW 260MM
E600-BA113



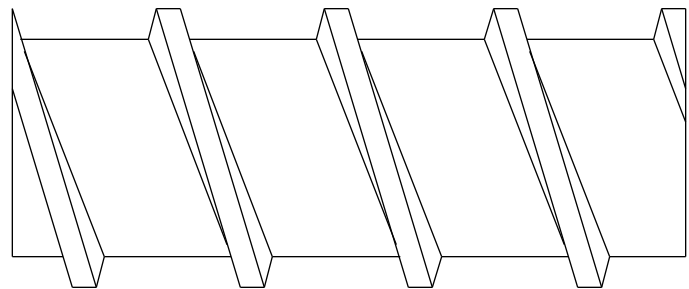
SINGLE FLIGHT SCREW
E600-BA060



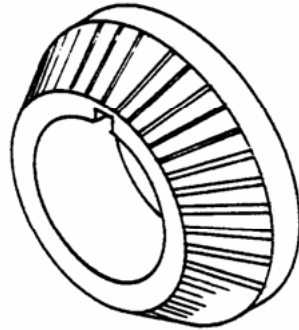
DOUBLE FLIGHT SCREW
E600-BA061



INTAKE SCREW
E600-BA063



CHOKE PLATES



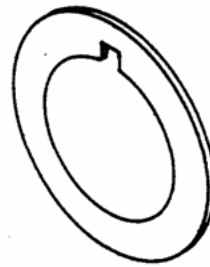
CHOKE PLATE 170 E600-BA085

CHOKE PLATE 175 E600-BA086

CHOKE PLATE 180 E600-BA087

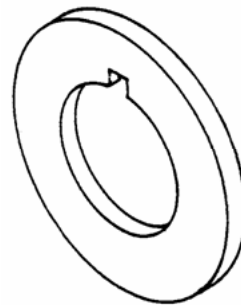
CHOKE PLATE SPACER

CHOKE PLATE SPACER
E600-BA062



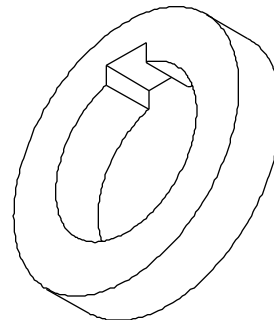
CHOKE PLATE RING

CHOKE PLATE RING
E600-BA092



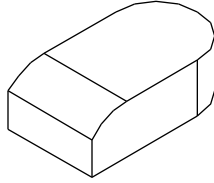
FEED INTAKE SCREW SPACER

FEED INTAKE SCREW SPACER
E600-BA036



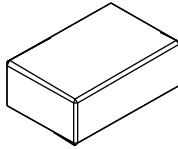
Drive Keys

1



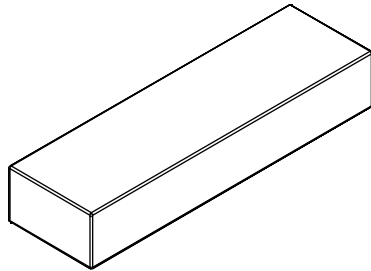
INTAKE SCREW KEY REAR
E600-BA020

2



INTAKE KEY
E600-BA047

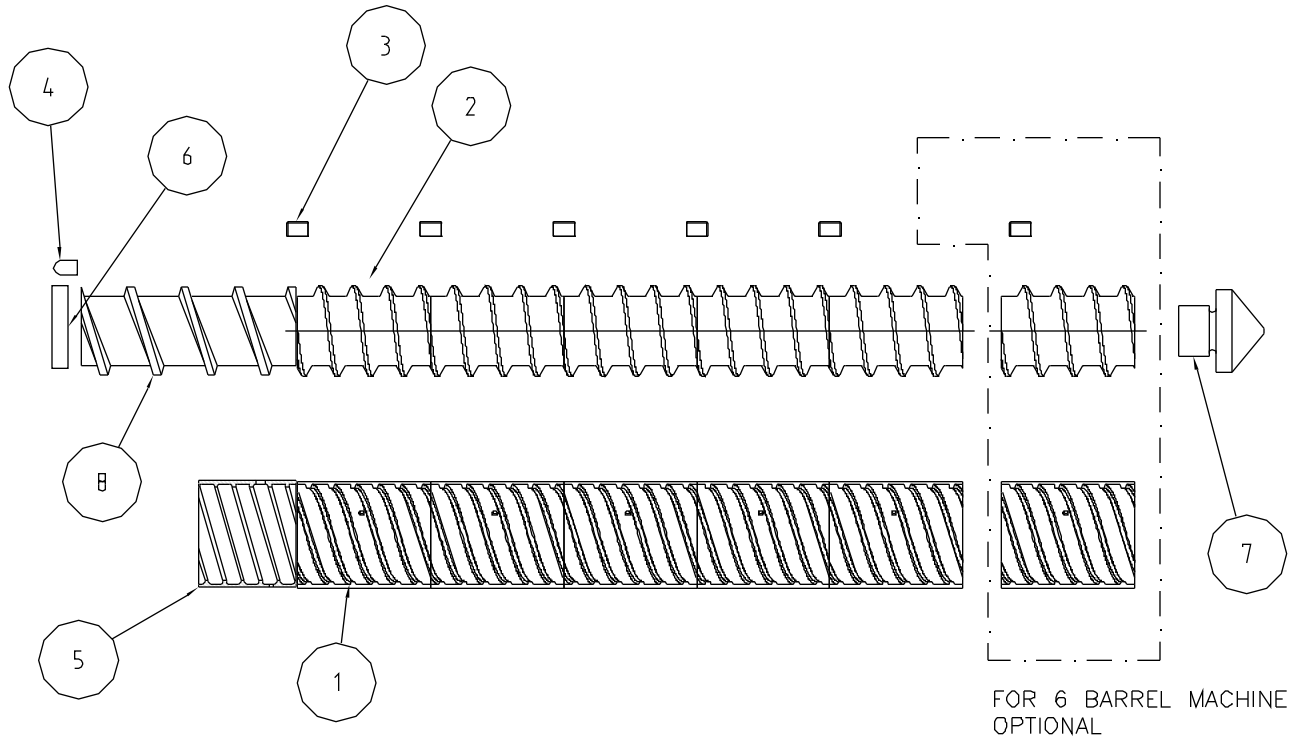
3



STANDARD KEY
E600-BA048

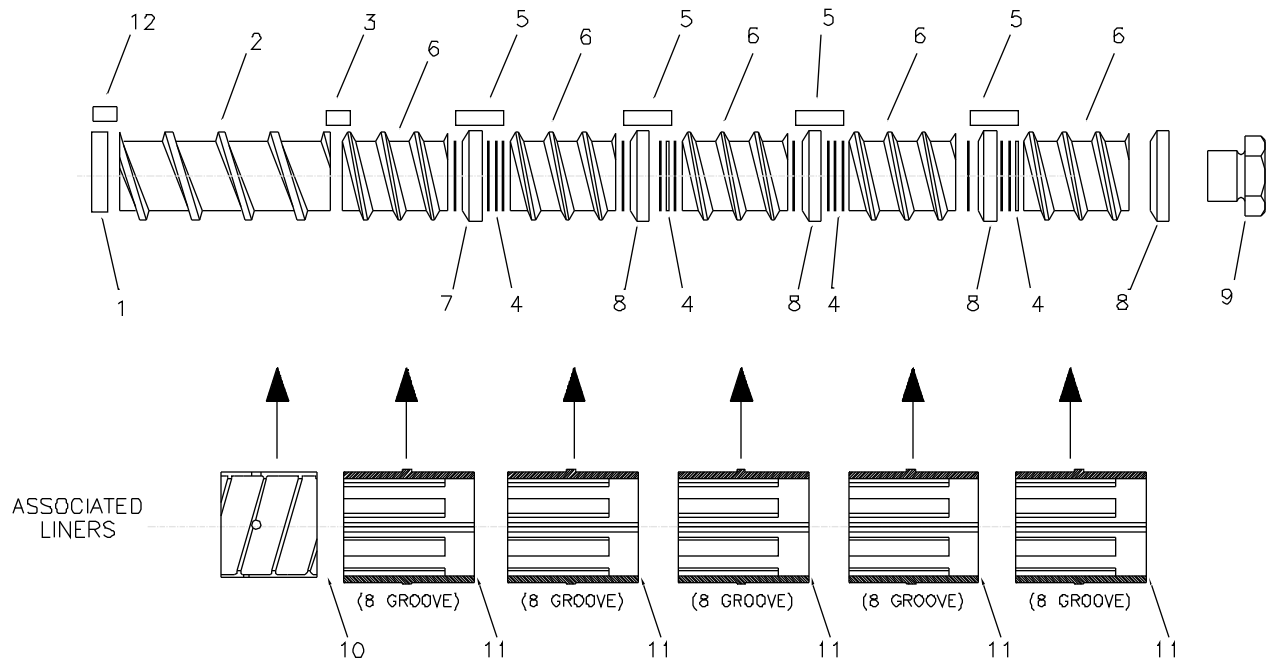
Screw Setups

CONTINUOUS SCREW



Item	Part Number	Description	Qty
1	E600-BA112	SPIRAL LINER	10
2	E600-BA113	SF SCREW 260MM	5
3	E600-BA047	INTAKE KEY	5
4	E600-BA020	REAR INTAKE SCREW KEY	1
5	E600-BA031	FEED INTAKE LINER SINGLE FLIGHT	1
6	E600-BA036	INTAKE SCREW SPACER	1
7	E600-BA055	CONICAL NOSE BULLET	1
8	E600-BA063	INTAKE SCREW	1

CHOKE PLATE SCREW

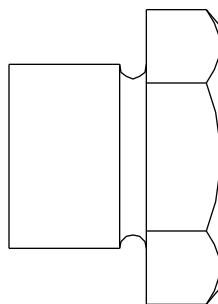


Item	Part Number	Description	Qty
1	E600-BA036	FEED INTAKE SCREW SPACER	1
2	E600-BA063	INTAKE SCREW	1
3	E600-BA047	INTAKE KEY	1
4	E600-BA062	CHOKE PLATE SPACER	A/R
5	E600-BA048	STANDARD KEY	4
6	E600-BA060	SINGLE FLIGHT SCREW	5
	OR E600-BA061	DOUBLE FLIGHT SCREW	
7	E600-BA085	CHOKE PLATE 170	4
8	E600-BA085	CHOKE PLATE 170	
	OR E600-BA086	CHOKE PLATE 175	
	OR E600-BA087	CHOKE PLATE 180	
9	E600-BA054	FLAT NOSE BULLET	1
	OR E600-BA055	CONICAL NOSE BULLET	
10	E600-BA031	FEED INTAKE LINER SINGLE FLIGHT	1
11	E600-BA042	NIHARD LINER MEDIUM SHEAR	10
	OR E600-BA044	NIHARD LINER HIGH SHEAR	
12	E600-BA020	INTAKE SCREW KEY REAR	1

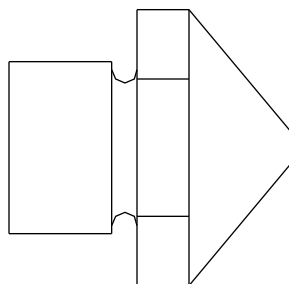
* A/R: as required

Nose bullets

FLAT NOSE BULLET
E600-BA054

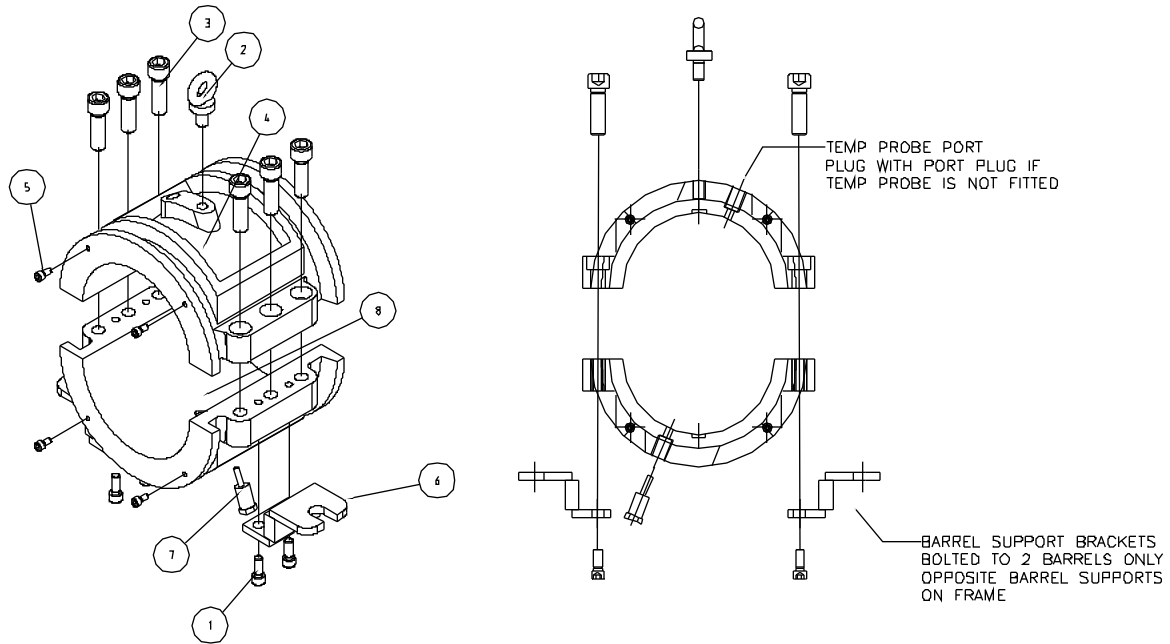


CONICAL NOSE BULLET
E600-BA055



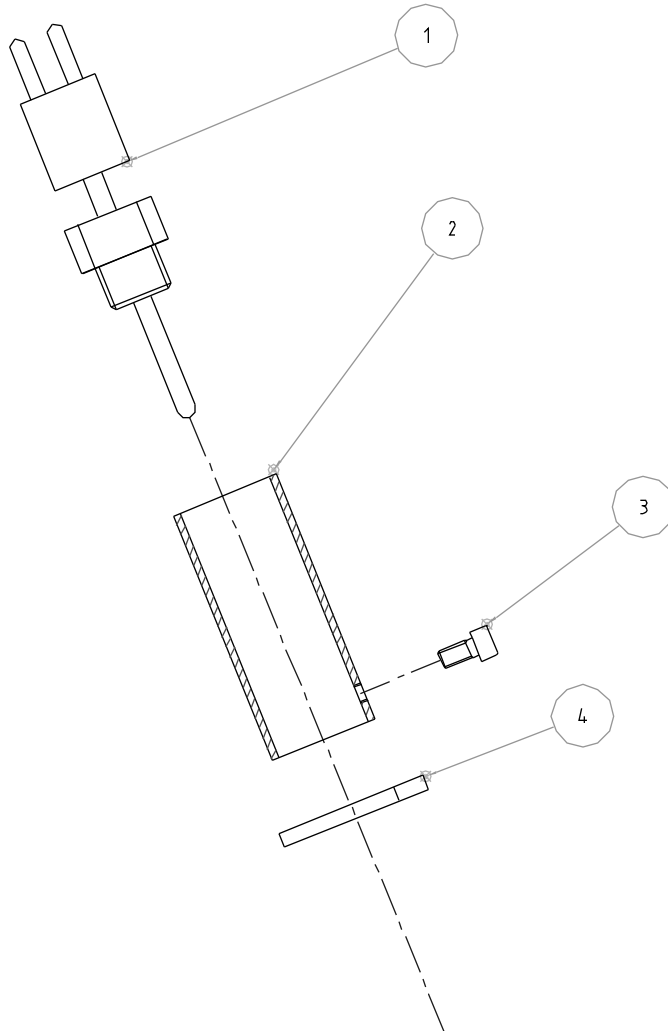
2 Barrel assemblies

Split barrel Standard



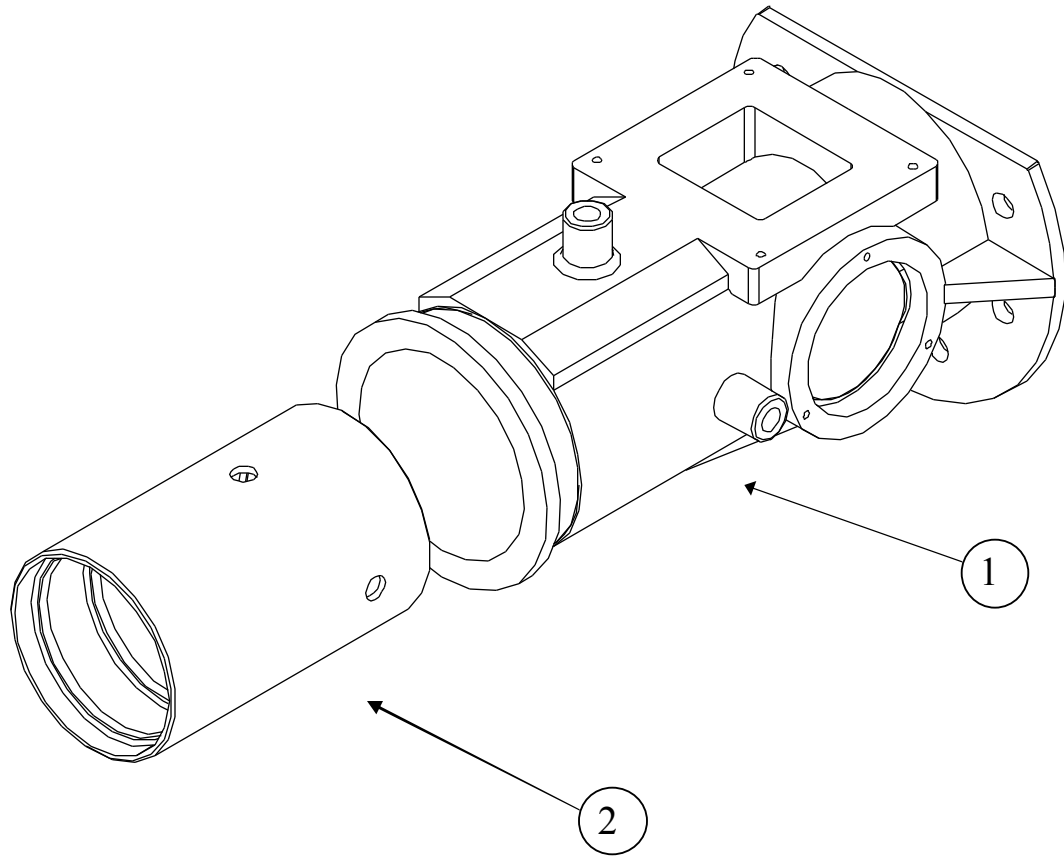
Item	Part Number	Description	Qty
1		M12 X30 SHCS	4
2	E600-BA098	Lifting Eyebolt	1
3	E600-BA118	M20 X65 SHCS	6
4	E600-BA040	BARREL UPPER	1
5	E100-BA045	M8 X 15 SHCS	4
6	E600-BA119	BARREL SUPPORT BRACKETS	2
7	E600-BA120	PORT PLUG	1
8	E600-BA041	BARREL LOWER	1

Thermometer Probe split barrel standard



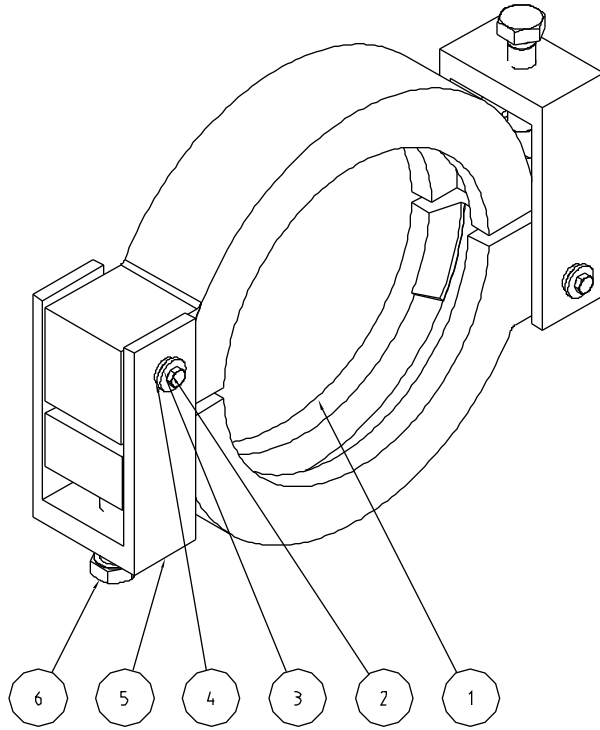
Item	Part Number	Description	Qty
1	E300-BA060	THERMOMETER PROBE - PT100	1
2	E100-BA063	THERMOMETER PROBE PROTECTION SHIELD	1
3	E100-BA062	CAPSCREW M6 X 12 S/S	1
4	E100-BA083	1/2" BSP LOCKNUT	1

Feed intake housing



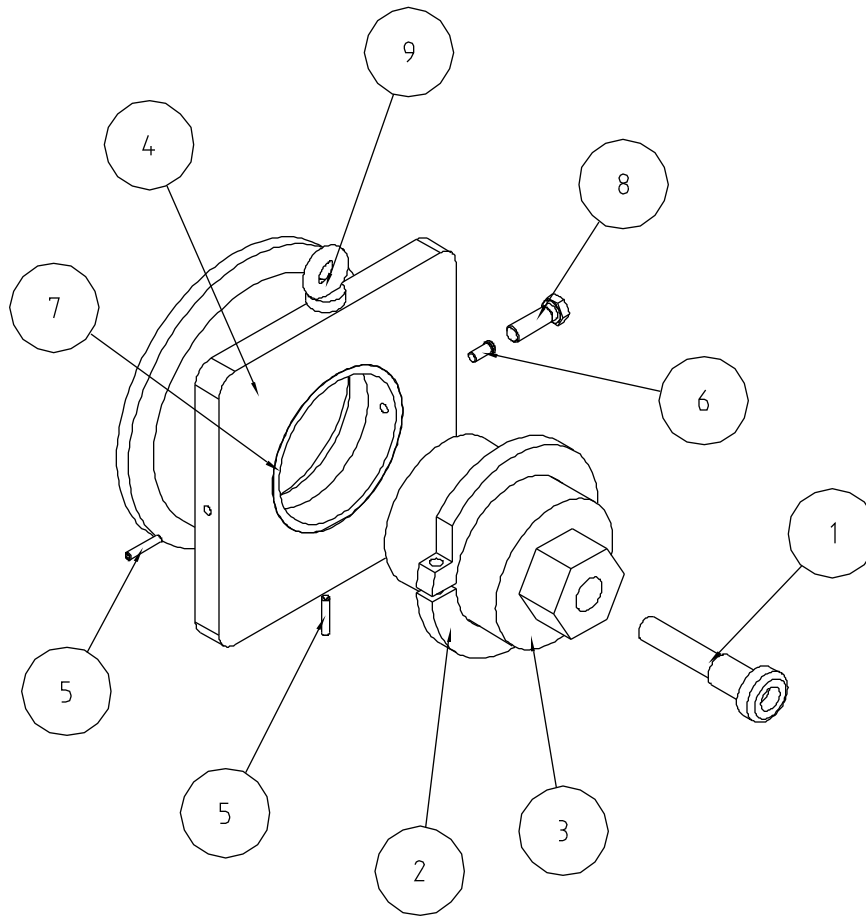
Item	Part Number	Description	Qty
1	E600-BA035	FEED INTAKE	1
2	E600-BA031	FEED INTAKE LINER SINGLE FLIGHT	1

3 Clamps



Item	Part Number	Description	Qty
1	E600-BA050	CLAMP HALF	1
2	E005-CU013	CLAMP PIN WASHER	2
3	E005-CU020	S/S BOLT M8 X 25	2
4	E600-BA053	CLAMP PIN	2
5	E600-BA051	CLAMP BRACKET	2
6	E600-BA052	S/S BOLT M20 X 80	2

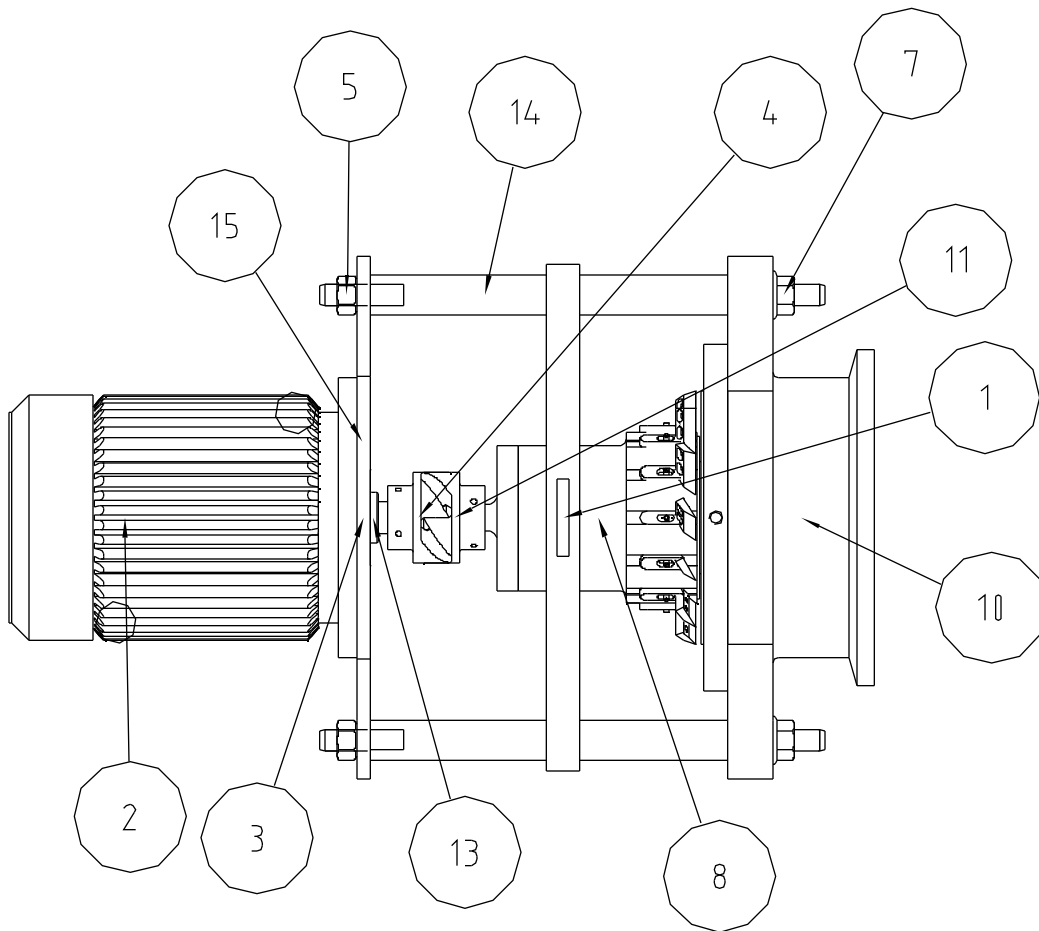
4 Barrel end section



Item	Name	Description	Qty
1	E600-BA161/2/3/4	INSERT NOZZLE 12/13/14/16MM	1
2	E500-BA356	LOCKING NUT L/H	1
3	E600-BA360	NOZZLE REPLACEMENT INSERT TYPE L/H	1
4	E600-BA260	BARREL END SECTION INSERT TYPE	1
5		GRUBSCREW M8 X 40	2
6	E600-BA046	NOZZLE PIECE RETAINING PLUG	1
7	E600-BA361	END SECTION INSERT L/H	1
8		M16 HEX BOLT	1
9		LIFTING EYEBOLT M16	1

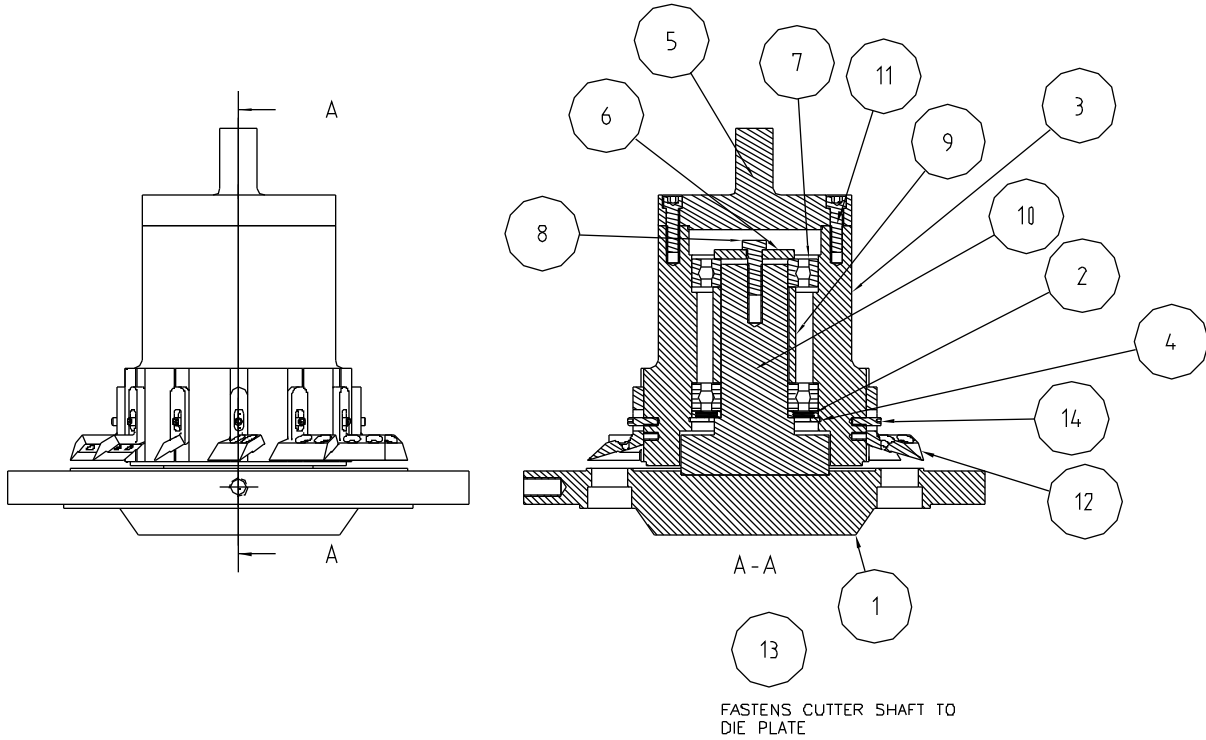
5 Cutter

Outboard cutter assembly



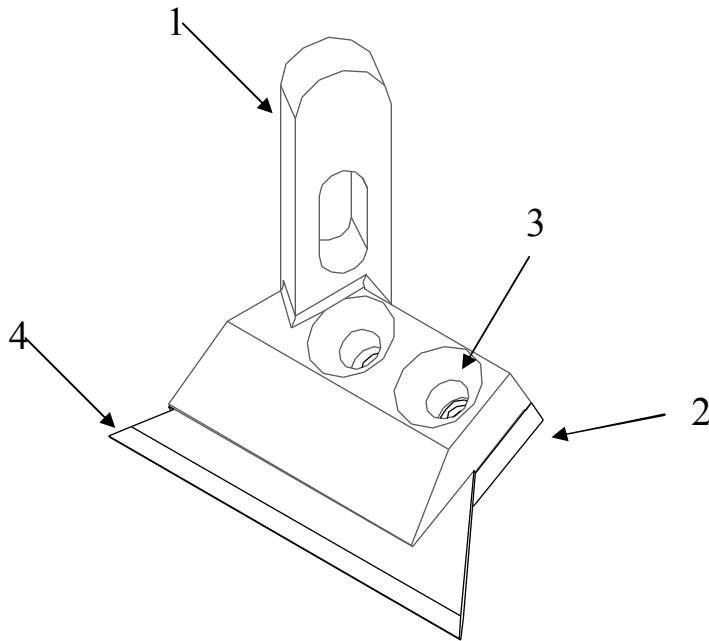
Item	Name	Description	Qty
1	E600-CU119	S3 CUTTER LIFTING BRACKET	1
2	E600-CU042	3KW MOTOR 4POLE FLANGE ALUMINIUM	1
3	E600-CU014	LABRYNTH SEAL 45 X 85	1
4	E600-CU034	AUTOCOUPLER MOTOR 3KW	1
5	HEX NUT - ISO 4032 - M20	Hex Nut	4
7	FLANGE NUT	Hex Nut with Flange	4
8	CUTTER ASSEMBLY		1
10	E600-CU030	235MM DIFFUSOR	1
11	E600-CU035	AUTOCOUPLER CUTTER	1
13	E600-CU036	SHAFT BUSH	1
14	E600-CU033	CUTTER BARS	4
15	E600-CU032	CUTTER FLANGE	1

Cutter assembly



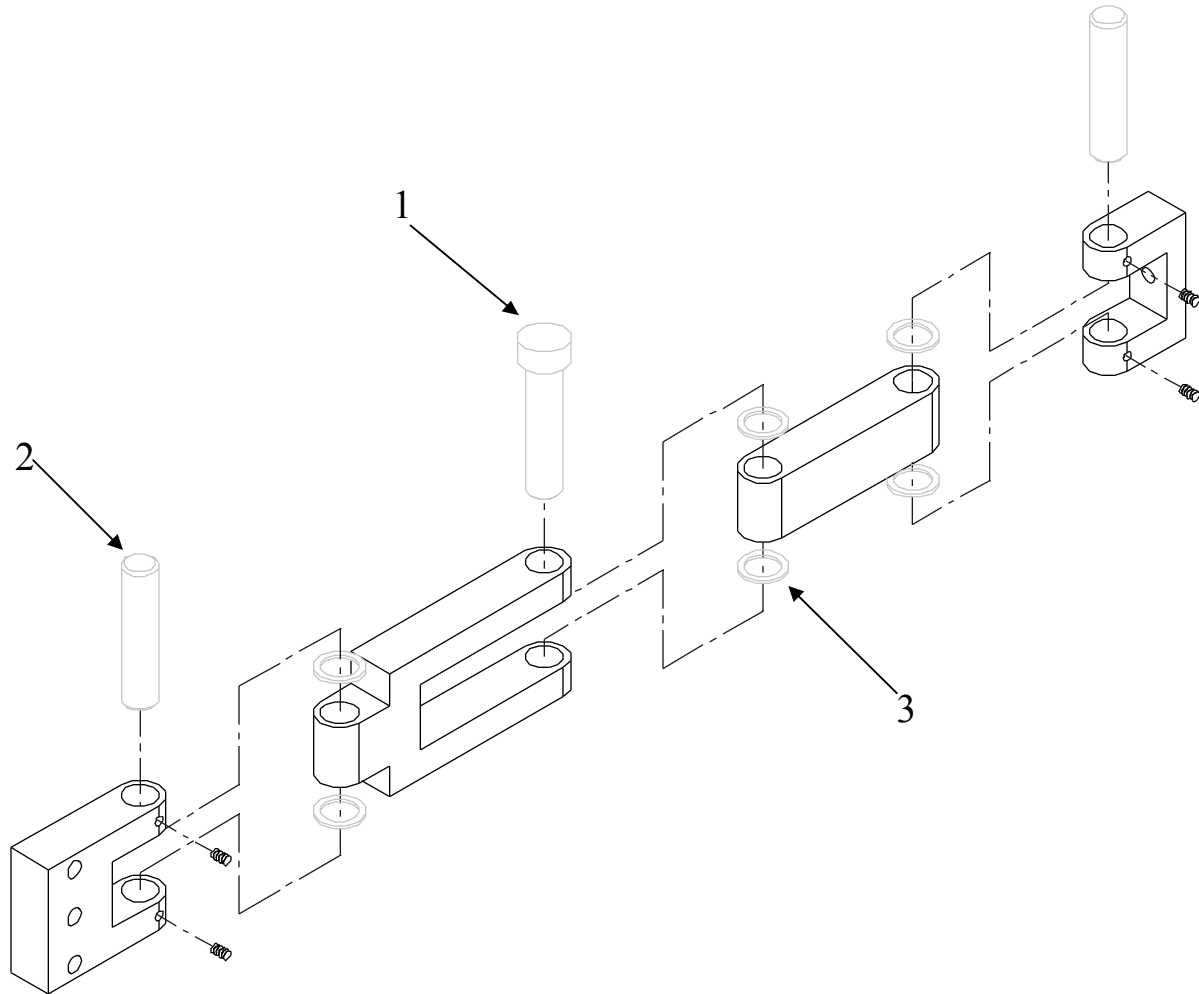
Item	Name	Description	Qty
1	E600-CU061	DIE PLATE 30MM INSERT 235MM	1
2	E600-CU014	LABRYNTH SEAL 45X85	1
3	E600-CU055	CUTTER SPINDLE	1
4	S200-SC068	CIRCLIP	1
5	E600-CU007	DRIVE STUB	1
6	E600-CU008	RETAINER WASHER	1
7	S200-SC070	Deep Groove Ball Bearing	2
8		Hex-Head Bolt M10 X 30	1
9	E600-CU013	SPACER SLEEVE	1
10	E600-CU006	CUTTER SHAFT	1
11	E005-CU090	Socket Head Cap Screw M8 X 35	6
12	E300-CUSA03	KNIFE HOLDER ASSEMBLY	12
13	E600-CU003	Socket Head Cap Screw M10 X 60	3
14	E100-CU205	KNIFE ATTACHMENT FASTENER	12

Knife holder complete



Item	Part Number	Description	Qty
1	E300-CU020	KNIFE HOLDER	1
2	E300-CU021	KNIFE HOLDER CLAMP PIECE	1
3	E300-CU022	M5 X 12 CS SHCS	2
4	E300-CU023	KNIFE BLADES (X100)	1

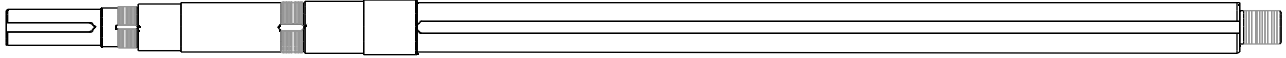
Cutter hinge



Item	Part Number	Description	Qty
1	E300-CU099	BRONZE PIN CAPPED	1
2	E300-CU098	BRONZE PIN	2
3	E300-CU097	BRONZE WASHER	6

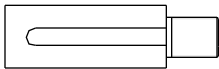
6 Shaft

Main shaft



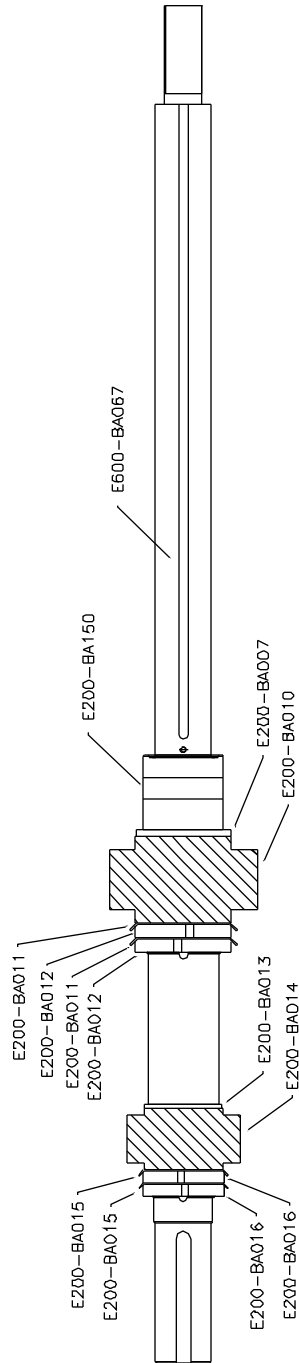
E600-BA067
5 BARREL MAIN SHAFT

Extension Shaft

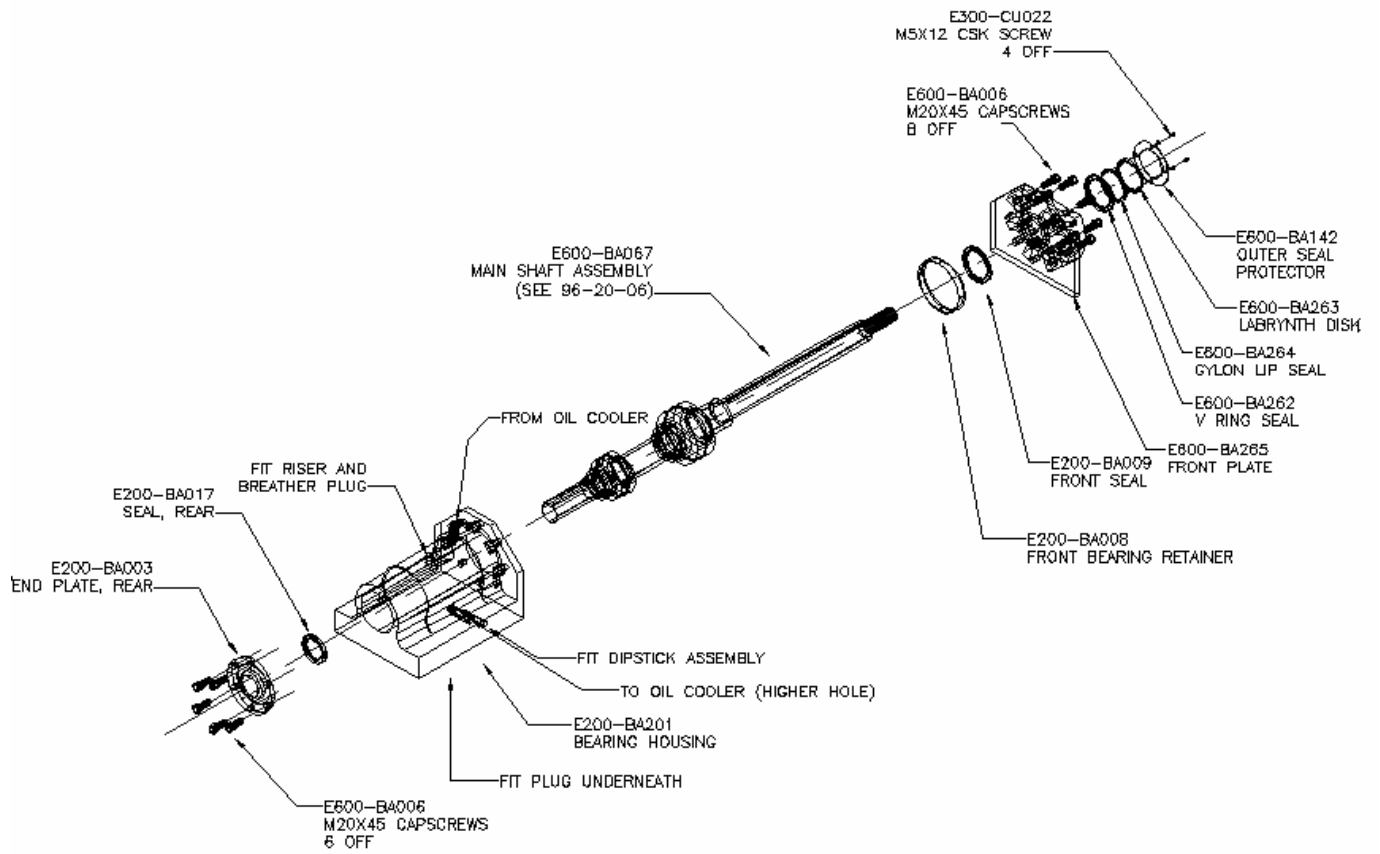


E600-BA302
BASH-C SHAFT EXTENSION 1 BARREL

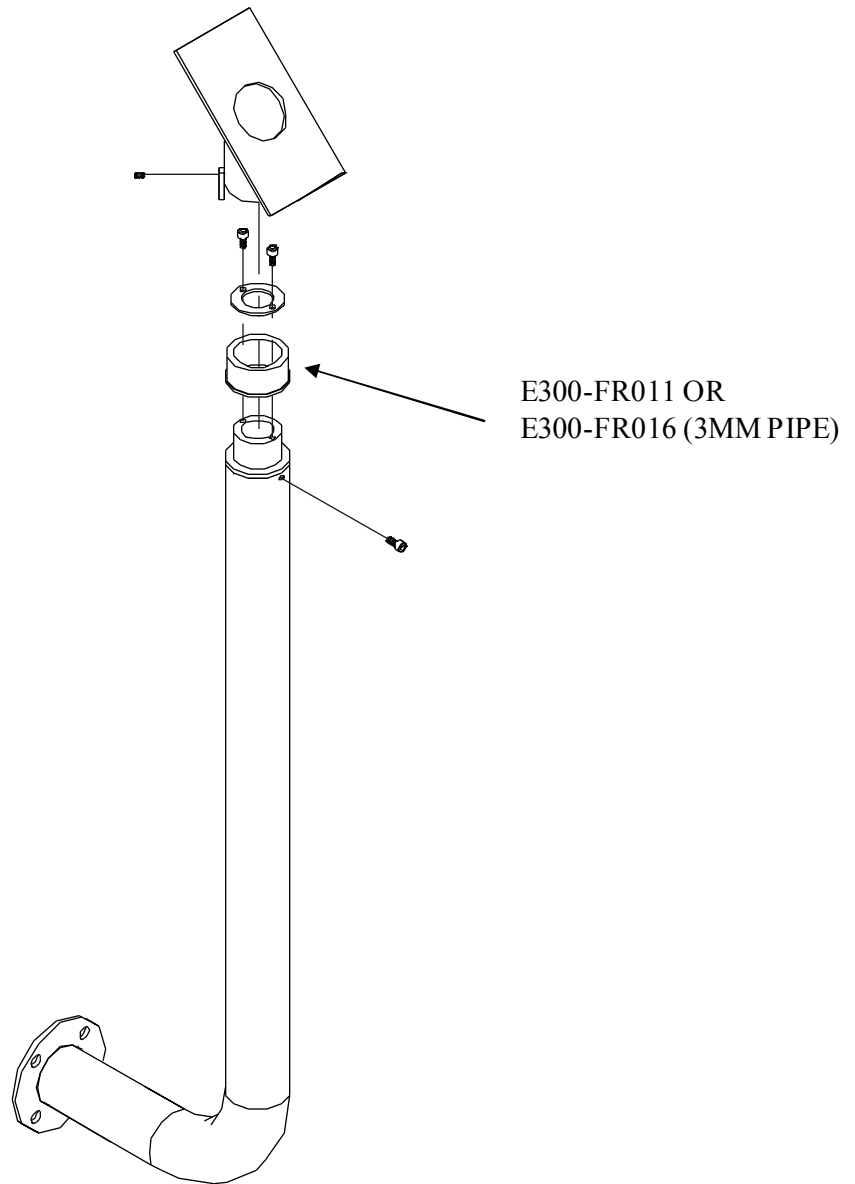
Shaft assembly



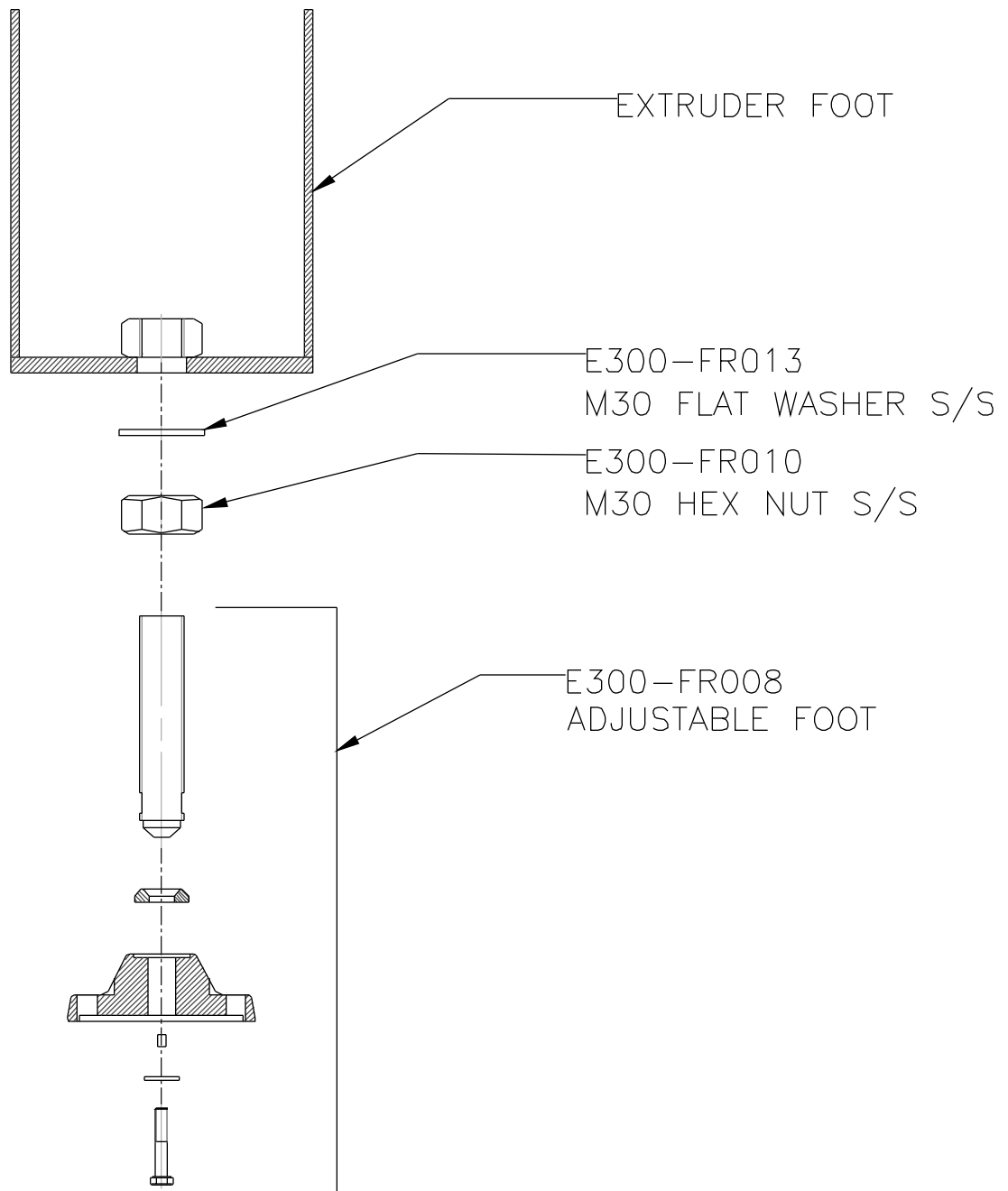
Bearing housing assembly



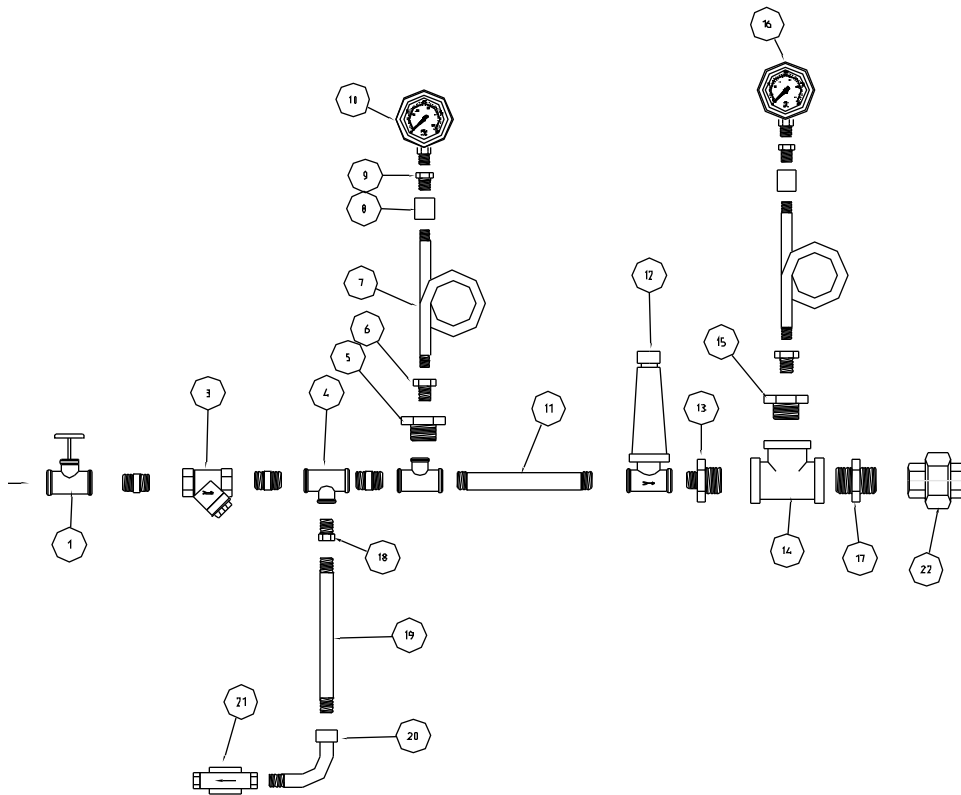
7 Control Arm



8 Articulated feet

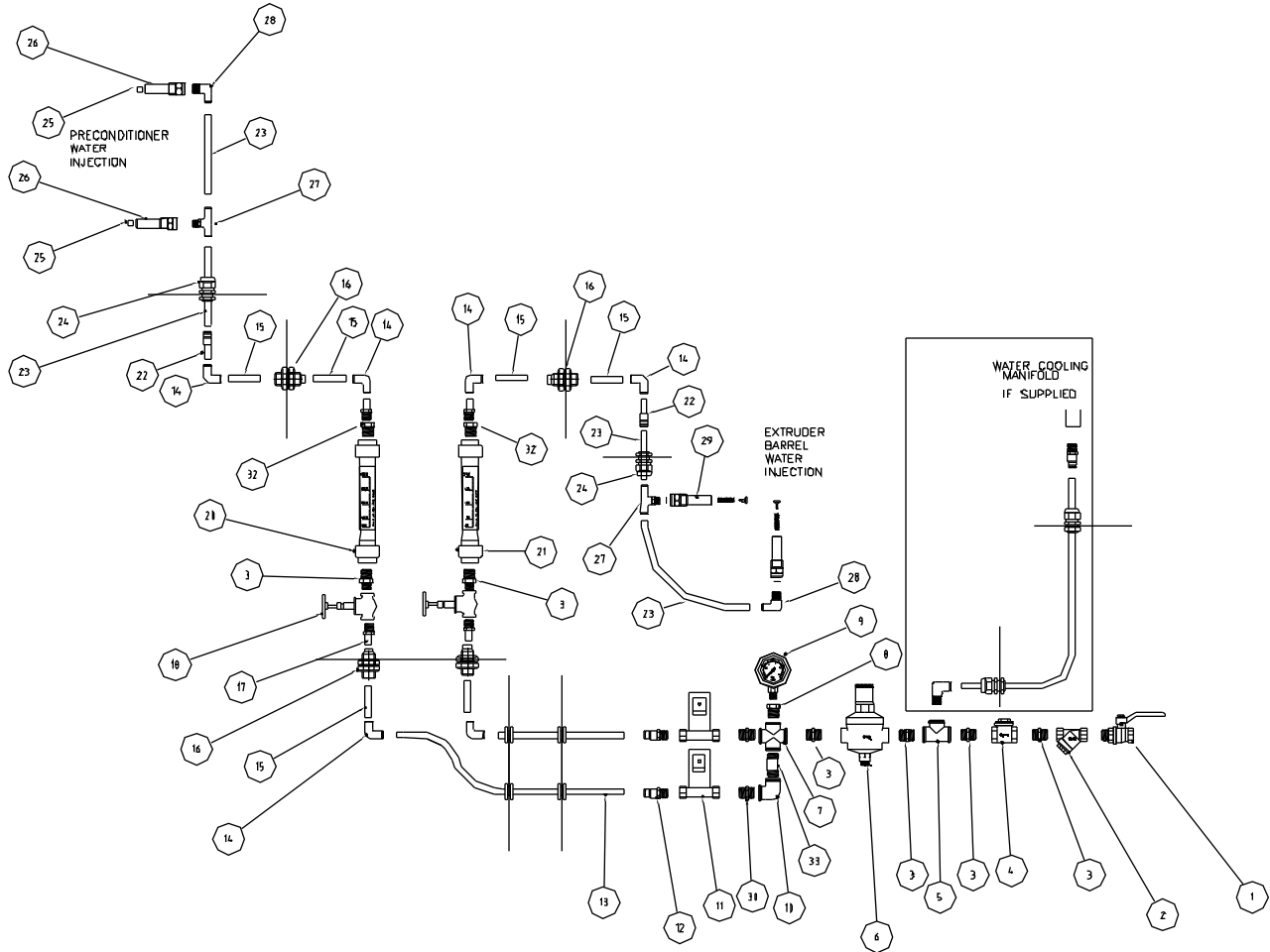


9 Steam Kit



Item	Pt Number	Description	Qty
1	S050-SV002	32MM GLOBE VALVE	1
2	S050-SV029	32MM HEX NIPPLE	3
3	S600-SV007	32MM STRAINER	1
4	S100-SV032	32MM TEE	2
5	S600-SV018	32-25MM REDUCER BUSH	1
6	S100-SV021	25-10MM REDUCER BUSH	2
7	S100-SV010	10MM PIGTAIL	2
8	S100-SV013	10MM BARREL SOCKET	2
9	S100-SV014	10-6MM REDUCER BUSH	2
10	S100-SV009	1000kPa PRESSURE GAUGE	1
11	S600-SV019	PIPE PIECE 32MM X 150MM	1
12	S600-SV024	32MM PRESSURE REDUCER	1
13	S600-SV025	50-32MM REDUCER NIPPLE	1
14	S600-SV012	50MM TEE	1
15	S600-SV011	50-25MM REDUCER BUSH	1
16	S100-SV008	600kPa STEAM GAUGE	1
17	S600-SV010	50MM HEX NIPPLE	1
18	S600-SV022	32-25MM REDUCER BUSH	1
19	S100-SV056	PIPE PIECE 15MM X 100MM	1
20	S100-SV018	MF 90° BEND 15MM	1
21	S100-SV003	STEAM TRAP	1
22	S600-SV013	50MM MAC UNION	1

10 Water injection assembly

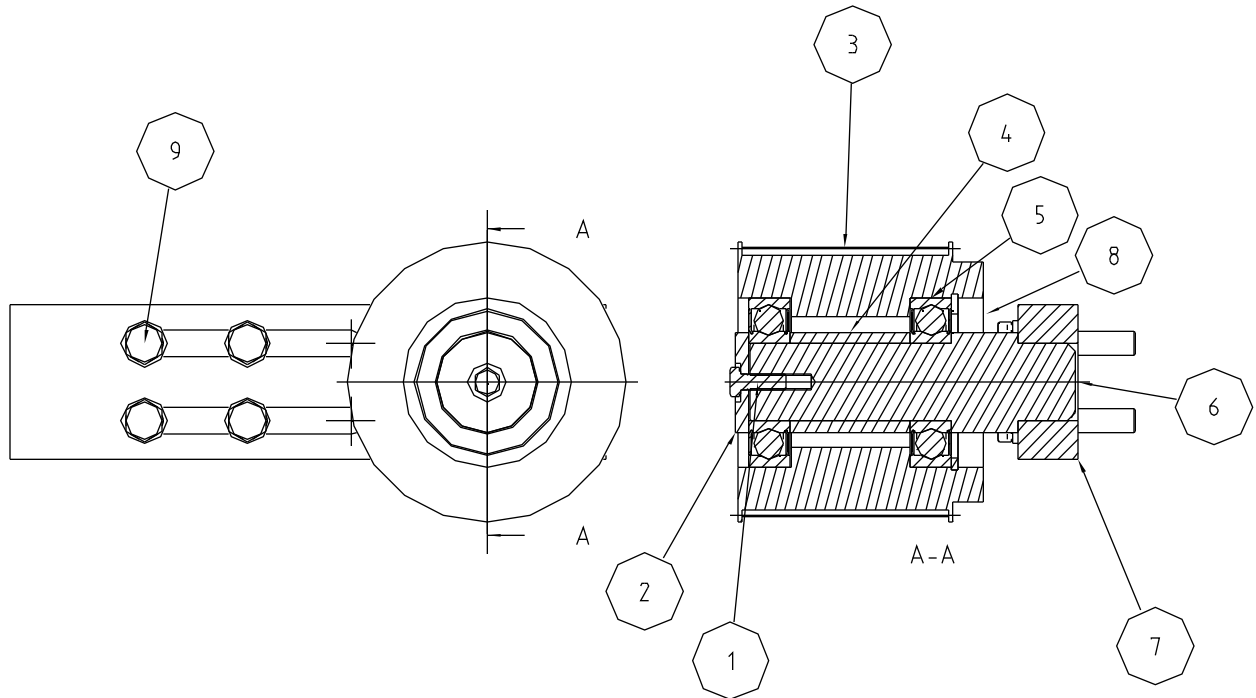


➤ See overleaf for item list

Item	Pt Number	Description	Qty
1	E100-WI013	1/2" BALL VALVE	1
2	E100-WI012	1/2" FILTER	1
3	E100-WI017	1/2" HEX NIPPLE	6
4	E100-WI016	1/2" NON RETURN VALVE	1
5	E100-WI018	1/2" BRASS TEE	1
6	E100-WI014	1/2" PRESSURE REDUCING VALVE	1
7	E100-WI076	1/2" FEMALE CROSS	1
8	E100-WI019	1/2" X 1/4" REDUCER BUSH	1
9	S100-SV008	PRESSURE GAUGE	1
10	E100-WI039	1/2" ELBOW F/F	1
11	E300-WI107	SOLENOID VALVE 3/8"	2
12	E100-WI193	12MM-3/8" STRAIGHT ADAPTER	2
13	E100-WI144	NYLON HOSE	1
14	E100-WI133	12MM ELBOW CONNECTOR	6
15	E100-WI139	12MM STEM CONNECTOR	6
16	E100-WI137	12MM BULKHEAD CONNECTOR	4
17	E100-WI138	12MM STEM - 1/2" ADAPTER	4
18	E600-WI010	GLOBE VALVE 1/2" RIGHT ANGLE	2
20	E300-WI106	FLOWMETER 100-1000 L/H	1
21	E300-WI104	FLOWMETER 25-250 L/H	1
22	E100-WI132	10MM - 12MM REDUCER CONNECTOR	2
23	E100-WI143	10MM NYLON HOSE	1
24		20MM GLAND	2
25	S300-SC171	NOZZLE 1/4" BIM16 S/S	2
26	S300-SC170	1/4" WATER INJECTION BODY	2
27	E100-WI191	10MM-3/8" SWIVEL TEE ADAPTER	2
28	E100-WI141	10MM-3/8" SWIVEL ELBOW ADAPTER	2
29	E100-WISA01	WATER INJECTION VALVE COMPLETE	2
30	E100-WI061	1/2" - 3/8" REDUCER NIPPLE	2
32	E100-WI028	3/4" - 1/2" REDUCER BUSH	2
33	E100-WI038	1/2" BRASS BARREL NIPPLE	1

11 Drive

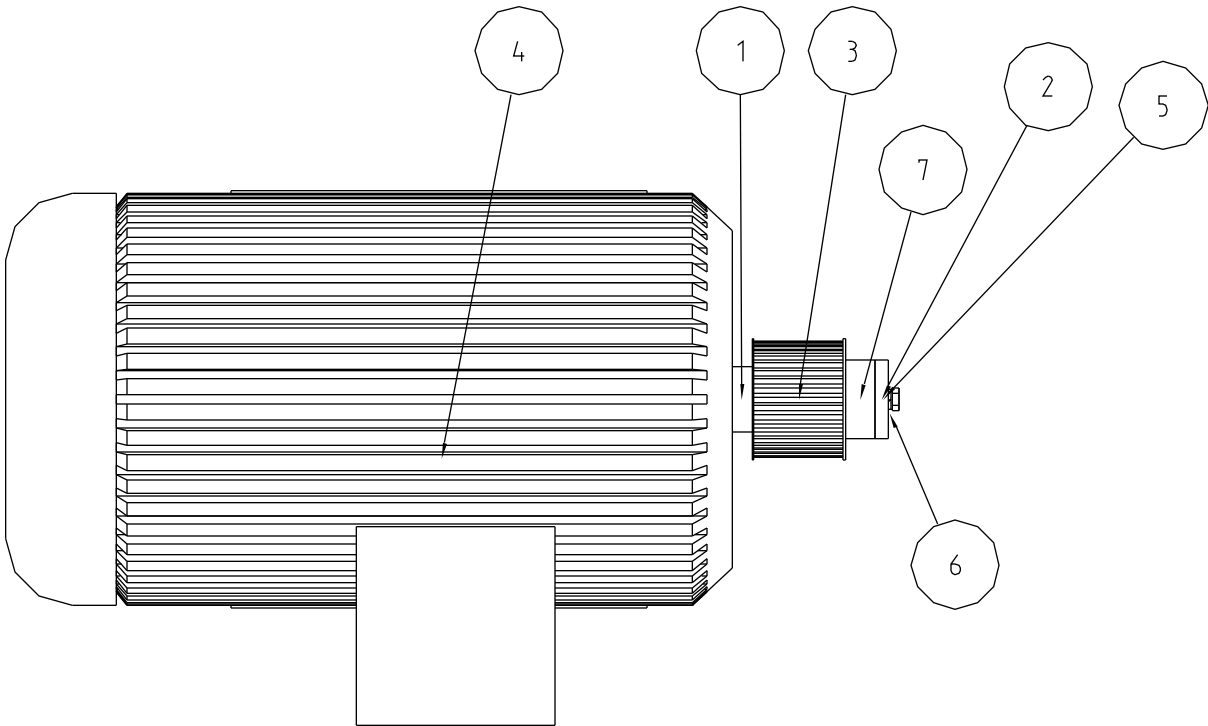
Idler



Item	Part Number	Description	Qty
1		BOLT M10 X 30 + SPLIT WASHER	1
2	E600-DR310	IDLER CLAMPING WASHER	1
3	E600-DR302	IDLER PULLEY 3BT	1
4	E600-DR305	IDLER SPACER SLEEVE	1
5	E600-DR304	IDLER BEARING 6310VV	2
6	E600-DR306	SHAFT WELDED TO BASE	1
7	E600-DR306	IDLER BASE	1
8	E600-DR311	CIRCLIP INTERNAL 114 X 4	1
9	BOLTS FOR MOUNTING TO BASE FRAME	M16 ZP BOLT X 80+HEAVY DUTY WASHER+SPLIT WASHER	4

Motor

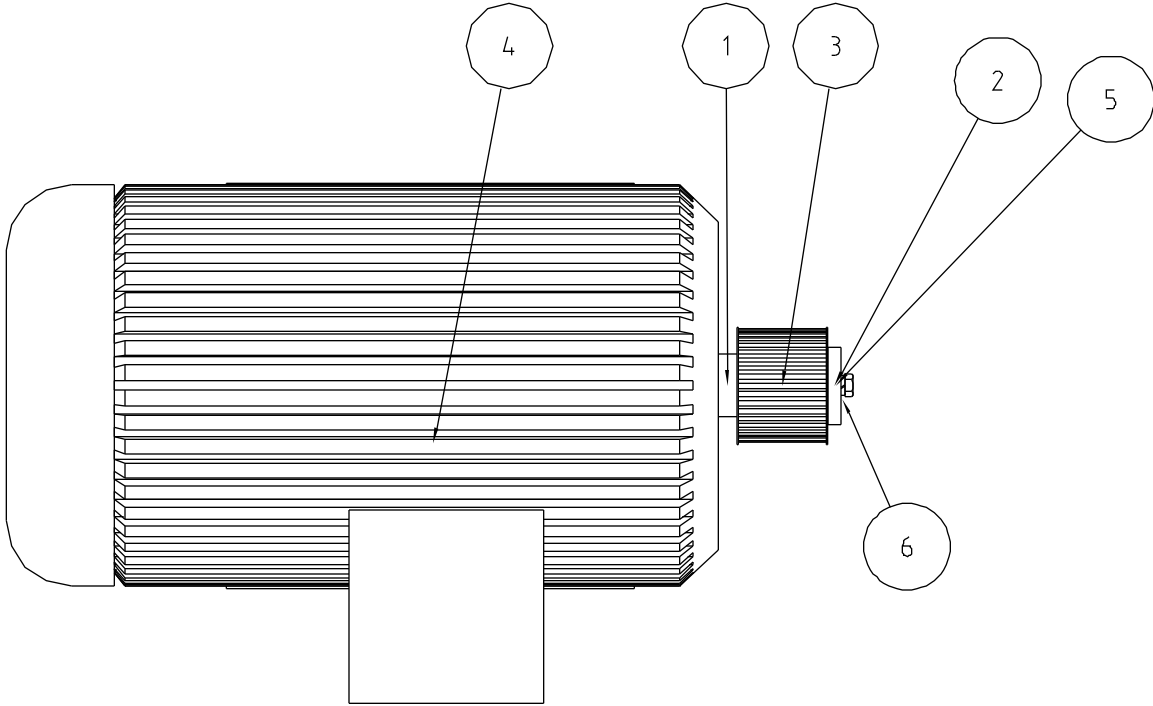
WEG with extended output shaft



Item	Part Number	Description	Qty
1	E600-DR313	MOTOR PULLEY SPACER	1
2	E600-DR314	CLAMPING WASHER	1
3	E600-DR312	DRIVE PULLEY 85 SHAFT	1
4	MOTOR160 SIDE	MAIN MOTOR 160KW	1
5	HEX-HEAD BOLT - ISO 4017 - M20X40	Hex-Head Bolt	1
6	SPRING WASHER - W20 - NF E 25-515	Spring Washer	1
7	E600-DR315	CLAMPING SPACER	1

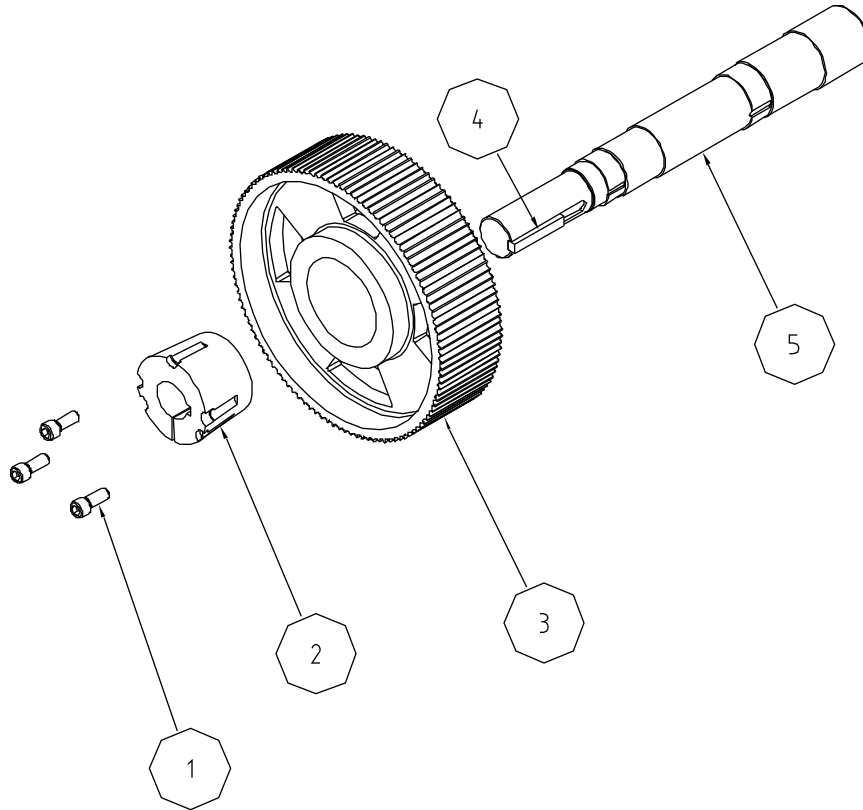
Motor

WESTERN or MONARCH



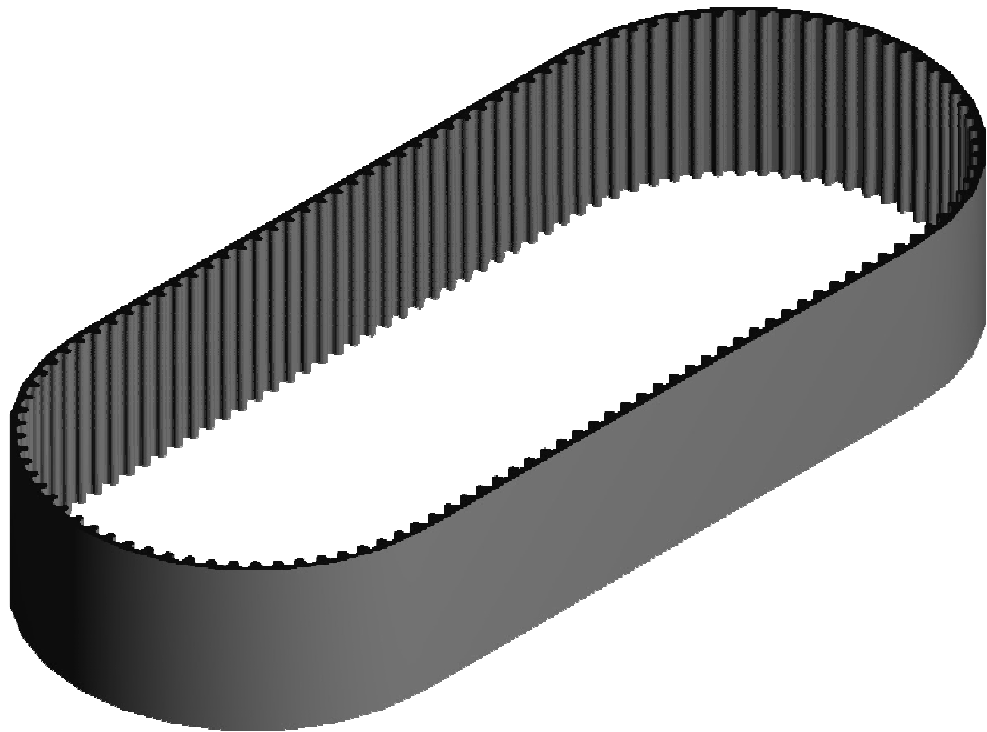
Item	Part Number	Description	Qty
1	E300-DR111	MOTOR PULLEY SPACER	1
2	E300-DR110	CLAMPING WASHER	1
3	E600-DR303	DRIVE PULLEY 80 SHAFT	1
4	MOTOR	MAIN MOTOR 160KW	1
5	HEX-HEAD BOLT - ISO 4017 - M20X40	Hex-Head Bolt	1
6	SPRING WASHER - W20 - NF E 25-515	Spring Washer	1

Shaft Pulley



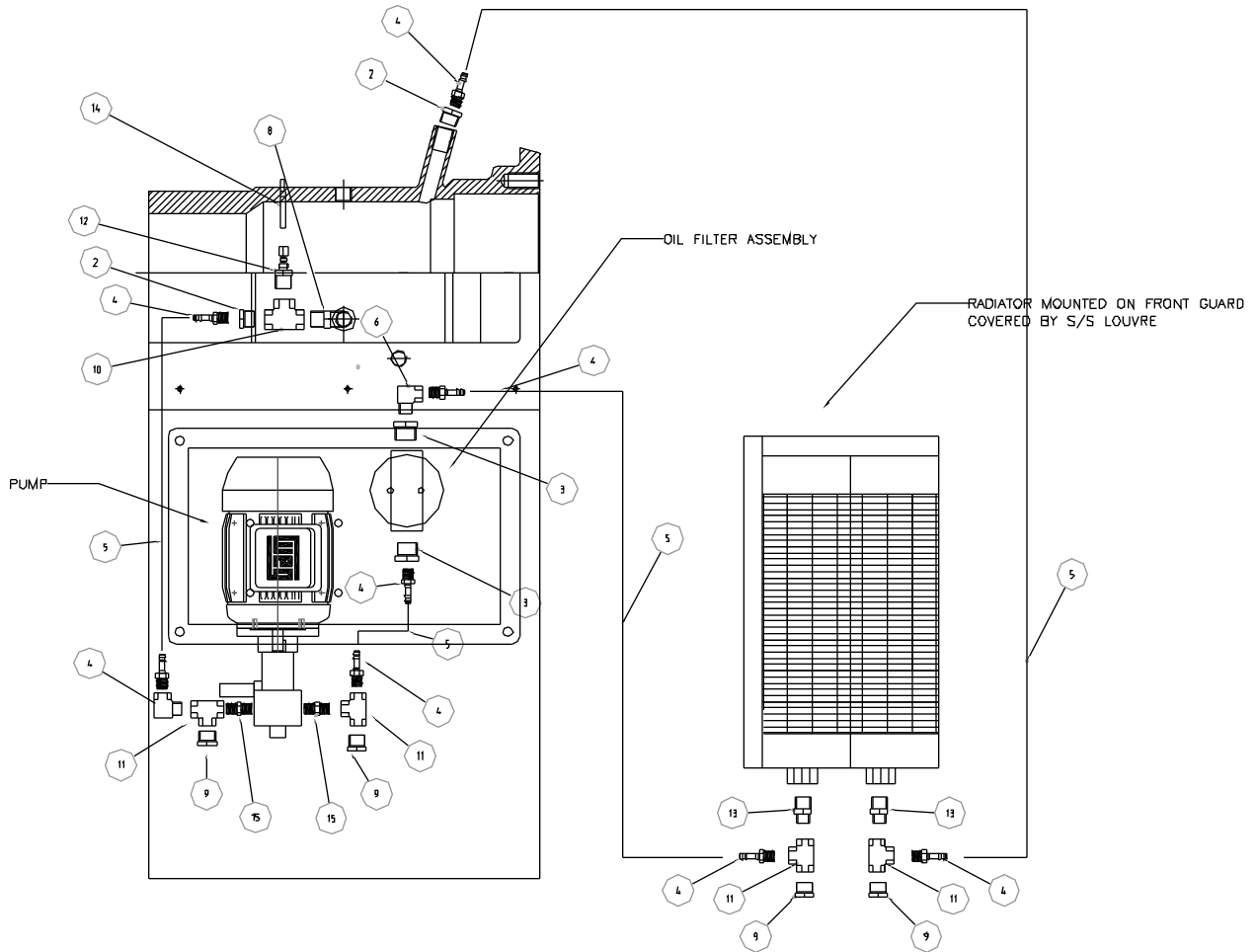
Item	Part Number	Description	Qty
1		CAPSCREW	3
2	E600-DR307	TAPER LOCK BUSH 4545 X 75	1
3	E300-DR301	DRIVEN PULLEY 112T X 14M X125 POLYCHAIN	1
4		MAIN SHAFT KEY 20X12X115	1
5		MAIN SHAFT ASSEMBLY	1

Belt



POLYCHAIN BELT 2100 X 14M X 125
E600-DR309

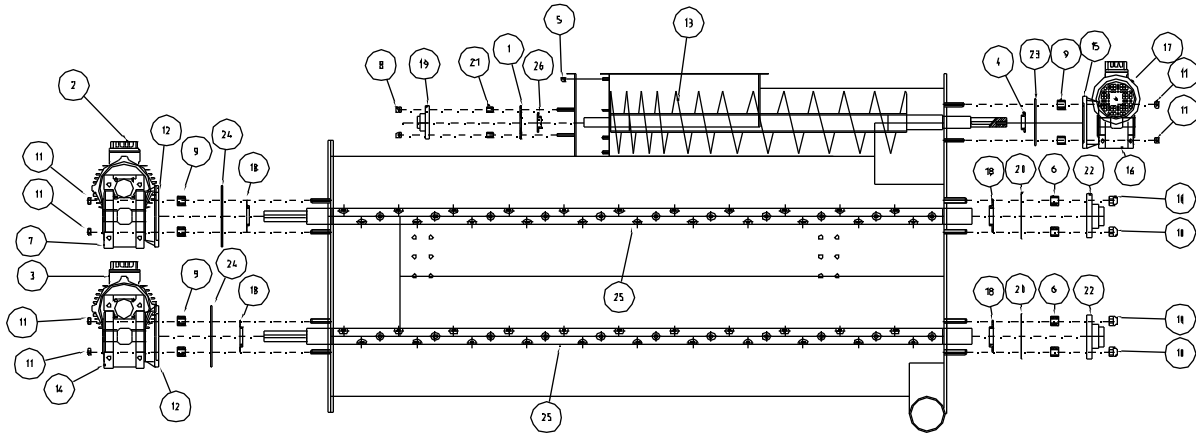
12 Oil Cooler



Item	Part Number	Description	Qty
2	E100-WI047	1/2" X 3/8" REDUCER BUSH	2
3	E100-WI054	3/4" X 3/8" REDUCER BUSH	2
4	E300-BJ001	3/8" PUSH-ON HOSE TAIL	8
5	E300-BJ005	3/8" PUSH LOCK HOSE BLACK	4
6	E300-BJ011	3/8" MF ELBOW	2
8	E100-WI017	1/2" HEX NIPPLE	1
9	S005-SC075	3/8" S/S PLUG	4
10	E100-WI018	1/2" FEMALE TEE	1
11	E100-WI053	3/8" FEMALE TEE	4
12	E100-WI049	1/2" COMPRESSION - 1/4" TUBE	1
13	E100-WI061	1/2" X 3/8" REDUCER NIPPLE	2
14	E600-EL038	TEMP PROBE	1
15	E300-BJ008	3/8" BSP HEX NIPPLE S/S	2

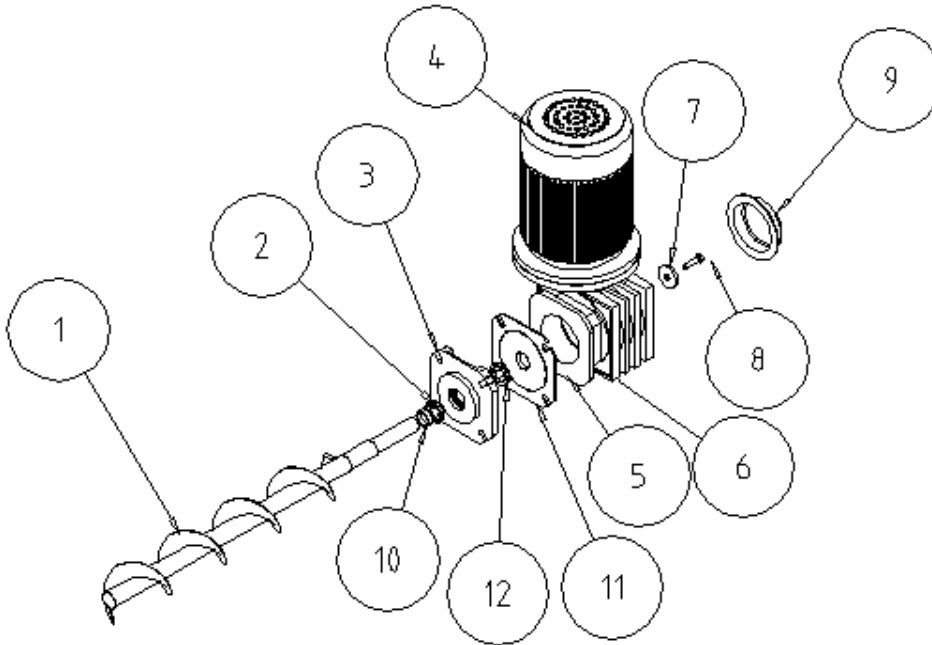
13 Conditioner

Main Assembly



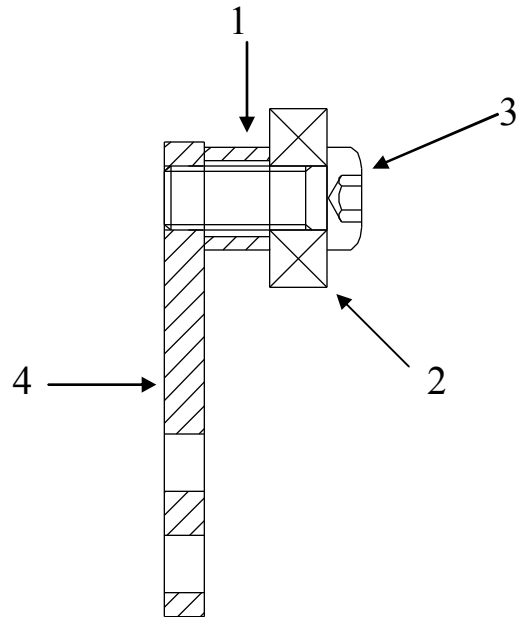
Item	Part Number	Description	Qty
1	S300-SC114	VF SEAL HOUSING	1
2	S300-SC121	4KW AC MOTOR	1
3	S300-SC120	3KW AC MOTOR 4 POLE	1
4	S300-SC146	TEFLON SEAL 40MM	1
5	S600-SC120	SS DOME NUT M8	7
6	S300-SC130	1" SPACER WASHER M16	8
7	S300-SC119	NMRV090 GBOX 7.5:1 D112	1
8	S600-SC121	SS DOME NUT M10	4
9	S300-SC110	M12 1" SPACER WASHERS M12	12
10	S600-SC122	SS DOME NUT M16	8
11		M12 NUTS SS	12
12	S300-SC132	OUTPUT FLANGE NMRV090	2
13	S300-SC104	VF AUGER	1
14	E300-SC118	NMRV090 GBOX 15:1 D100	1
15	S600-SC047	OUTPUT FLANGE NMRV075	1
16	S300-SC120	GBOX NMRV075 30:1	1
17	S300-SC158	1.1 KW MOTOR	1
18	S300-SC145	TEFLON SEAL 50MM	4
19	S050-SC035	UCF 206 BEARING AND HOUSING	1
20	S300-SC112	BEARING SEAL CAPS	2
21	S300-SC129	M10 1" SPACER WASHER	4
22	S600-SC135 + S200-SC076	50 BEARING SQUARE UCF210 + F210	2
23	S300-SC115	VF GBOX SEAL COVER	1
24	S300-SC107	SEAL CAPS GBOX	2
25	S300-SC106	CONDITIONER MAINSHAFT	2
26	S050-SC203	TEFLON SEAL	1

Side feeder



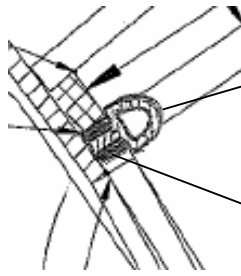
Item	Name	Description	Qty
1	S600-SC301	BASH-C FORCE FEED AUGER	1
2	S300-SC149	TEFLON SEAL	1
3	S300-SC251	SEAL HOUSING/SPACER	1
4	E100-OC070	2.2 KW MOTOR	1
6	S600-SC302	GEARBOX NMRV075 7.5:1	1
5	S600-SC047	F/F OUTPUT FLANGE NMRV075	1
7	E100-BA135	WASHER	1
8		BOLT/SPLIT WASHER M10X40	1
9	S600-SC048	SHAFT COVER NMRV075	1
10	S300-SC253	SPACER DISK	1
11	S300-SC252	VRING DISK	1
12	S600-SC199	V RING SEAL	1

Bypass carriage wheels



Item	Part Number	Description	Qty
1	S300-SC140	SPACER	1
2	S300-SC144	BEARING STAINLESS STEEL	1
3		CAPSCREW M8 X 20	1
4		BYPASS WHEEL ARM	1

Door Sealing

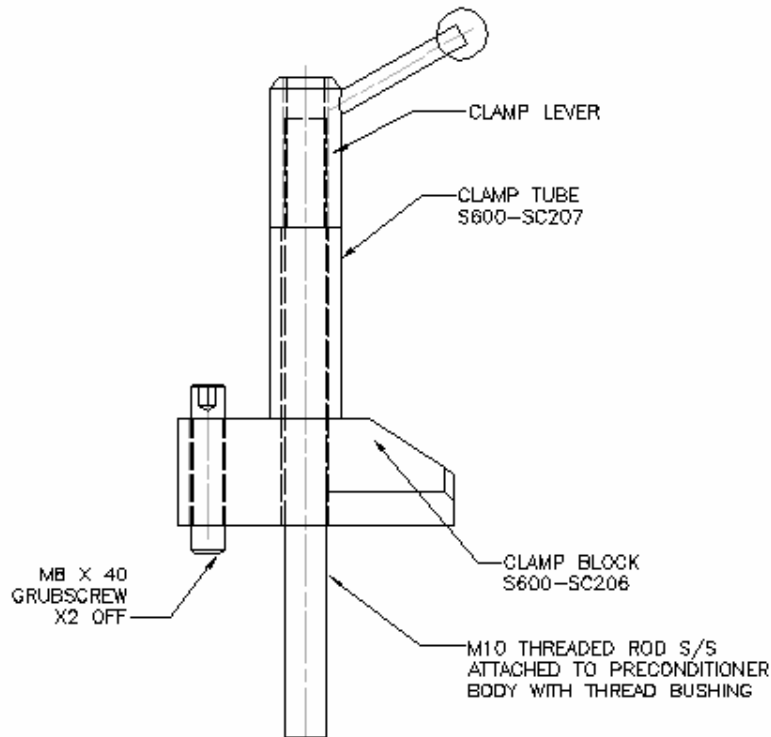


Specification:
GU-Profile 22.5x15
no. 10008292
by Maagtechnic
Switzerland

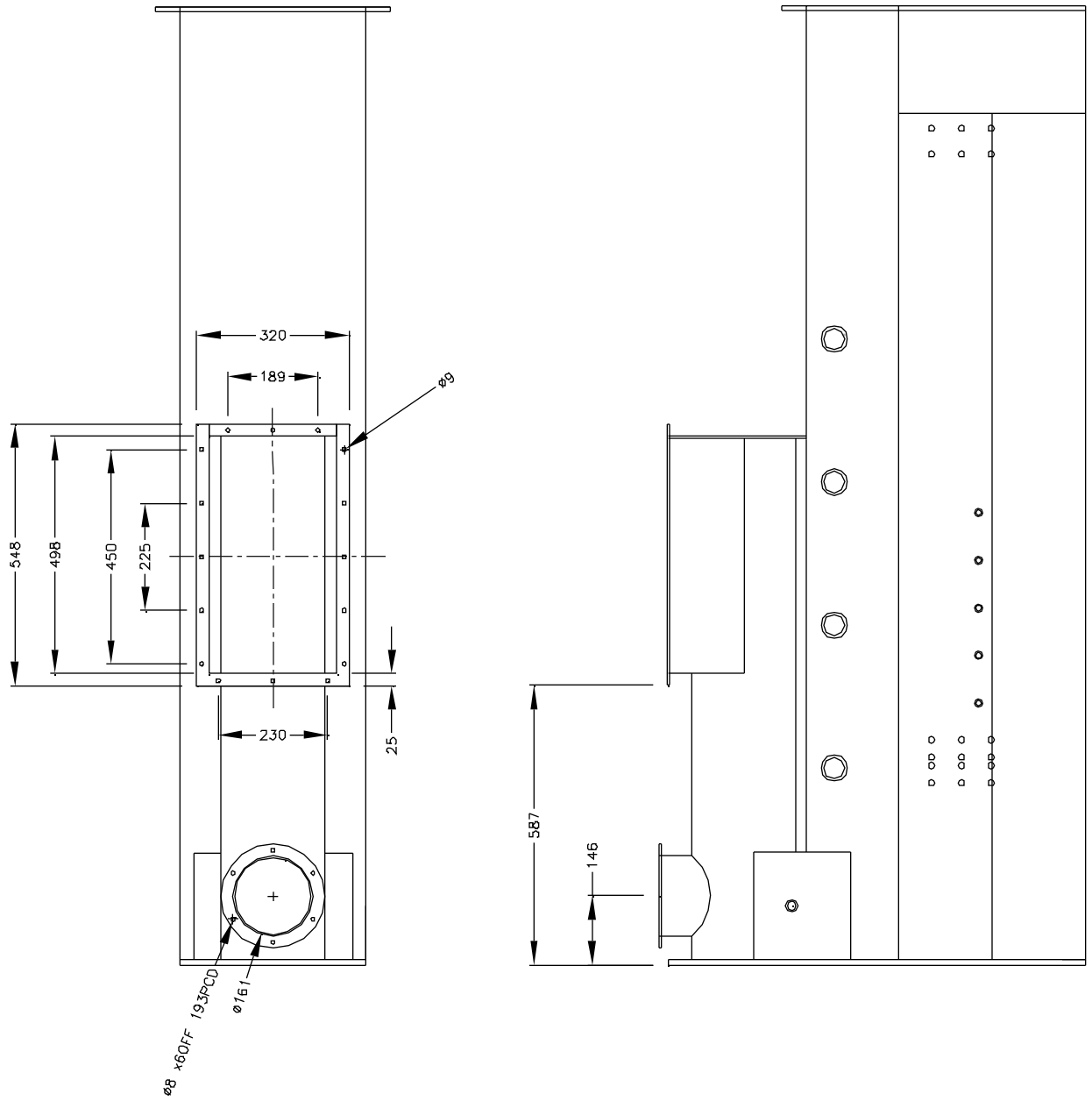
Length = 5m/door

Specification:
Silicon mass
t = up to 150°C
short time 180° C

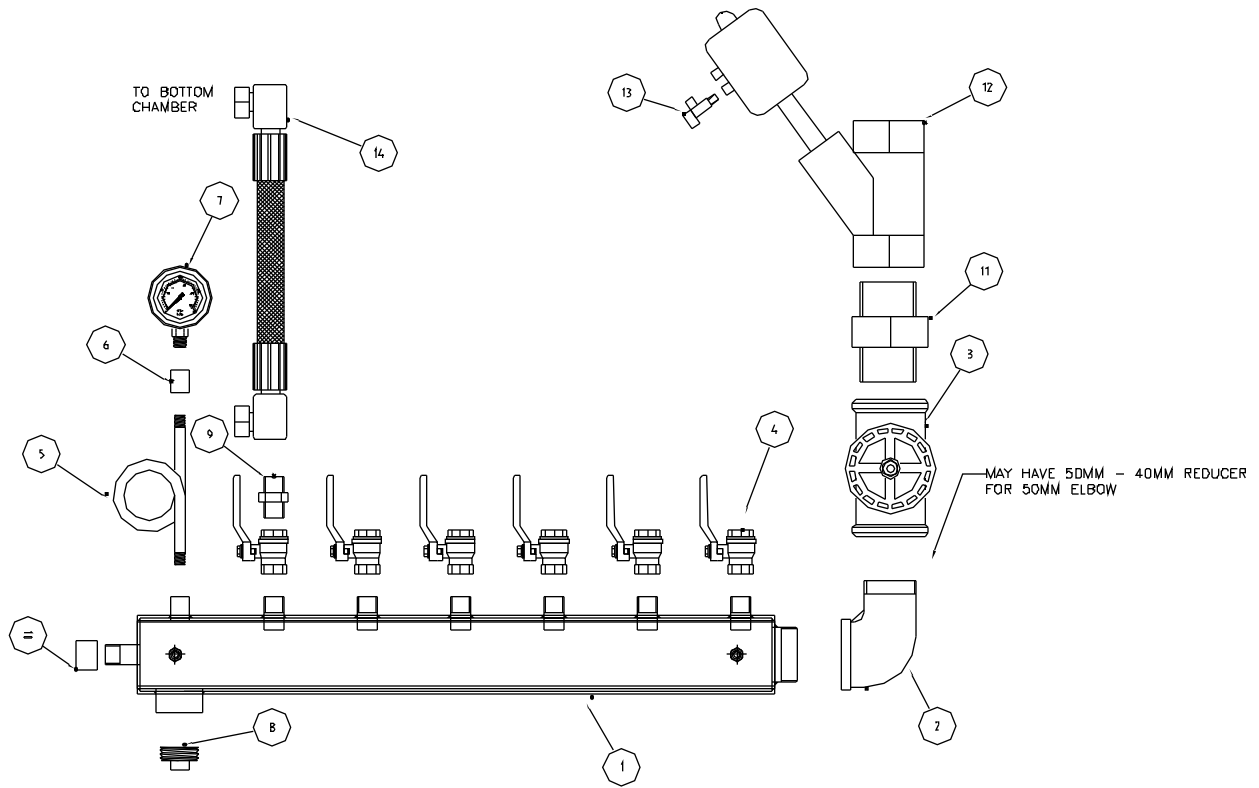
Door clamping block and lever



Top feeder flange dimensions



14 Steam Manifold



Item	Part Number	Description	Qty
1	S300-SM001	BASF STEAM MANIFOLD	7
2	S300-SM002	90° MF BEND 40MM [WELDED TO MANIFOLD]	1
3	S100-SV002	40MM GLOBE VALVE	1
4	S600-SC126	3/8" BALL VALVE S/S	6
5	S600-SM016	PIG TAIL S/S	1
6	S300-SM008	BARREL SOCKET 10MM S/S	1
7	S100-SV008	600 kPa PRESSURE GAUGE	1
8		1 1/4" plug	1
9	E300-BJ008	3/8" BSP HEX NIPPLE S/S	1
10		1/2" PLUG	1
11	S300-SM012	40 MM HEX NIPPLE S/S	1
12	S600-SM017	40MM PNEUMATIC VALVE	1
13	S600-SM018	PILOT VALVE	1
14	S300-SM003	BRAIDED STEAM HOSE	1